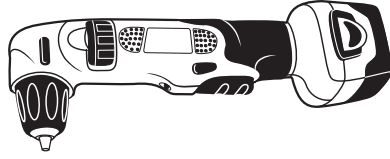




PROFESSIONAL

(EN)	CORDLESS ANGLE DRILL / DRIVER	1 – 9
	Instruction Manual	
(DE)	AKKU - WINKELBOHRSCHRAUBER	10 – 19
	Gebrauchsanweisung	
(FR)	PERCEUSE/VISSEUSE D'ANGLE SANS FIL	20 – 28
	Instructions d'utilisation	
(RU)	АККУМУЛЯТОРНАЯ УГЛОВАЯ ДРЕЛЬ / ШУРУПОВЕРТ	29 – 38
	Инструкция по эксплуатации	
(BG)	АККУМУЛЯТОРНА УГЛОВА БОРМАШИНА / ВИНТОВЕРТ	39 – 48
	Инструкция за експлоатация	



12V

BAR 12E



DECLARATION OF CONFORMITY

We declare under our sole responsibility that this product is in conformity with the provisions of the following directives and the corresponding harmonized standards: 98/37/EC, 89/336/EEC, 73/23/EEC, 93/68/EEC, EN 55014-1, EN 55 014-2, EN 60745-2-2, EN 61000-3-2, EN 61000-3-3.

KONFORMITÄTSERKLÄRUNG

Hiermit versichern wir unsere persönliche Haftung, daß dieses Erzeugnis den Anordnungen folgender Richtlinien und entsprechender harmonisierter Standards: 98/37/EC, 89/336/EEC, 73/23/EEC, 93/68/EEC, EN 55014-1, EN 55 014-2, EN 60745-1, EN 60745-2-2, EN 61000-3-2, EN 61000-3-3.

DECLARATION DE CONFORMITE

Nous déclarons sous notre propre responsabilité que ce produit est conforme aux directives, respectivement les standards harmonisés: 98/37/EC, 89/336/EEC, 73/23/EEC, 93/68/EEC, EN 55014-1, EN 55 014-2, EN 60745-1, EN 60745-2-2, EN 61000-3-2, EN 61000-3-3.

ДЕКЛАРАЦИЯ О СООТВЕТСТВИИ

Мы заявляем нашу личную ответственность за соответствие данного изделия нижеперечисленным директивам и соответствующим унифицированным стандартам: 98/37/EC, 89/336/EEC, 73/23/EEC, 93/68/EEC, EN 55014-1, EN 55 014-2, EN 60745-1, EN 60745-2-2, EN 61000-3-2, EN 61000-3-3.

ДЕКЛАРАЦИЯ ЗА СЪОТВЕТСТВИЕ

Ние декларираме нашата лична отговорност, че това изделие е в съответствие с разпоредбите на следните директиви, съответно хармонизирани стандарти: 98/37/EC, 89/336/EEC, 73/23/EEC, 93/68/EEC, EN 55014-1, EN 55 014-2, EN 60745-1, EN 60745-2-2, EN 61000-3-2, EN 61000-3-3.

SPARKY GmbH
Leipziger Str. 20
10117 Berlin, DEUTSCHLAND
Geschäftsführer Dipl.-Ing. Stanislav Peikov



СПАРКИ ЕЛТОС АД

ДЕКЛАРАЦИЯ ЗА СЪОТВЕТСТВИЕ

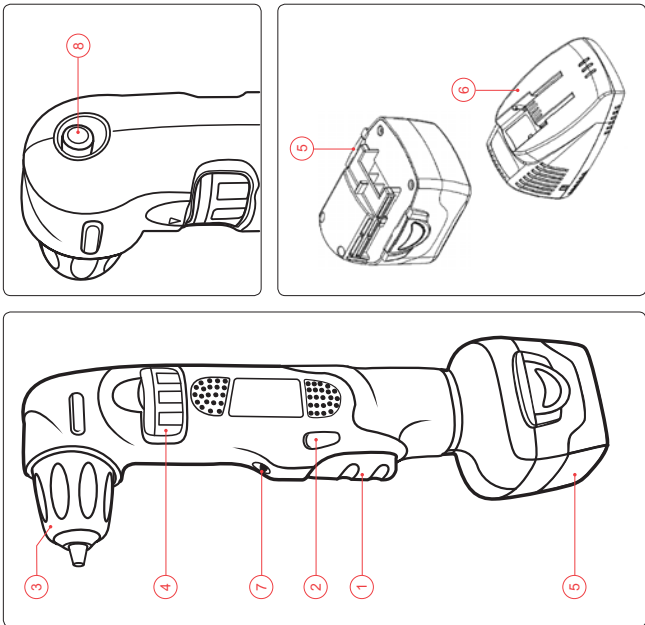
СПАРКИ ЕЛТОС АД декларира, че
**АККУМУЛЯТОРНА УГЛОВА БОРМАШИНА / ВИНТОВЕРТ
BAR 12E**

съответства на изискванията на следните наредби:
- Наредба за нисковолтовите електрически съоръжения – ПМС 182/06.07.2001
- Наредба за машините – ПМС 232/11.10.2001
- Наредба за електромагнитна съвместимост – ПМС 203/29.08.2001,
както и на следните БДС, ввели европейските хармонизирани стандарти:
БДС EN 55014-1, БДС EN 55 014-2, БДС EN 60745-1, БДС EN 60745-2-2, БДС EN 61000-3-2,
БДС EN 61000-3-3.

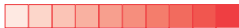
605

СПАРКИ ЕЛТОС АД
ул. „Кубрат“ 9
5500 Ловеч
България

Николай Кълбов
Изпълнителен Директор



A





Contents

I - Introduction	1
II - Technical specifications	3
III - Safety instructions	3
IV - Additional safety rules for angle drills/drivers	4
V - Additional instructions for work with the charger	4
VI - Additional instructions for work with the battery pack	5
VII - Know your product	A/7
VIII - Operation	7
IX - Maintenance	8
X - Warranty	9

UNPACKING

Due to modern mass production techniques, it is unlikely that your power tool is faulty or that a part is missing. If you find anything wrong, do not operate the tool until the parts have been replaced or the fault has been rectified. Failure to do so could result in serious personal injury.

ASSEMBLY

This SPARKY cordless angle drill/driver BAR 12E is packed fully assembled.

I - Introduction

Your new SPARKY power tool will more than satisfy your expectations. It has been manufactured under stringent SPARKY Quality Standards to meet superior performance criteria. You will find your new tool easy and safe to operate, and, with proper care, it will give you many years of dependable service.

CAUTION!

Carefully read through this entire Instruction Manual before using your new SPARKY power tool. Take special care to heed the Cautions and Warnings. Your SPARKY power tool has many features that will make your job faster and easier. Safety, performance, and dependability have been given top priority in the development of this tool, making it easy to maintain and operate.



Do not dispose of electrical products together with household waste!

Waste electrical products should not be disposed of with household waste. Please recycle where facilities exist. Check with your local authority or retailer for recycling advice.

ENVIRONMENTAL PROTECTION



The machine, accessories and packaging should be sorted for environmental-friendly recycling. The plastic components are labelled for categorised recycling.



DESCRIPTION OF SYMBOLS

The rating plate on your power tool may show symbols. These represent important information about the product or instructions on its use.




Double insulated for additional protection.



Conforms to relevant European safety standards.

II - Technical specifications


BAR 12E

▪ Voltage:	12 V 
▪ No load speed:	0–800 min ⁻¹
▪ Keyless chuck:	1.5–10 mm
▪ Capacity in:	
- wood	24 mm
- steel	10 mm
▪ Max. torque:	18 Nm
▪ Torque control:	12 positions
▪ Variable speed, reversing	Yes
▪ LED charge indicator:	Yes
▪ Tool length:	350 mm
▪ Weight (incl. battery):	2 kg

BATTERY (Nickel-Cadmium)

▪ Voltage:	12V
▪ Capacity:	2 Ah

CHARGER

▪ Input voltage / frequency:	230V~50Hz
▪ Consumption:	45 W
▪ Output:	12 V  1.8 A
▪ Charging time:	1 h
▪ Sound pressure level:	L _{pA} = 67.14 dB (A)
▪ Sound power level:	L _{wA} = 78.14 dB (A)
▪ Vibration:	0.40 m/s ²

III - Safety instructions



WARNING: Read all instructions. Failure to follow all instructions listed below may result in electric shock, fire and/or serious injury. The term “power tool” in all of the warnings listed below refers to your battery-operated (cordless) power tool.

Save these instructions!

WORK AREA

- Keep work area clean and well lit. Cluttered and dark areas invite accidents.
- Do not operate power tools in explosive atmospheres, such as in the presence of flammable liquids, gases, or dust. Power tools create sparks which may ignite the dust or fumes.
- Keep children and bystanders away while operating a power tool. Distractions can cause you to lose control.

ELECTRICAL SAFETY

- Avoid body contact with earthed or grounded surfaces such as pipes, radiators, ranges and refrigerators. There is an increased risk of electric shock if your body is earthed or grounded.
- Do not expose power tools to rain or wet conditions. Water entering a power tool will increase the risk of electric shock.

PERSONAL SAFETY

- Stay alert, watch what you are doing and use common sense when operating a power tool. Do not use a power tool while you are tired or under the influence of drugs, alcohol or medication. A moment of inattention while operating power tools may result in serious personal injury.
- Use safety equipment. Always wear eye protection. Safety equipment such as dust mask, non-skid safety shoes, hard hat, or hearing protection used for appropriate conditions will reduce personal injuries.
- Do not overreach. Keep proper footing and balance at all times. This enables better control of the power tool in unexpected situations.
- Dress properly. Do not wear loose clothing or jewellery. Keep your hair, clothing and gloves away from moving parts. Loose clothes, jewellery or long hair can be caught in moving parts.
- If devices are provided for the connection of dust extraction and collection facilities, ensure these are connected and properly used. Use of these devices can reduce dust-related hazards.

POWER TOOL USE AND CARE

- Ensure the switch is in the off position before inserting battery pack. Inserting the battery pack into power tools that have the switch on invites accidents.
- Recharge only with the charger specified by the manufacturer. A charger that is suitable for one type of battery pack may create a risk of fire when used with another battery pack.
- Use power tools only with specifically designated battery packs. Use of any other battery packs may create a risk of injury and fire.
- When battery pack is not in use, keep it away from other metal objects like paper clips, coins, keys, nails, screws, or other small metal objects that can make a connection from one terminal to another. Shorting the battery terminals together may cause burns or a fire.
- Under abusive conditions, liquid may be ejected from the battery; avoid contact. If contact accidentally occurs, flush with water. If liquid contacts eyes, additionally seek medical help. Liq-

uid ejected from the battery may cause irritation or burns.

- Do not force the power tool. Use the correct power tool for your application. The correct power tool will do the job better and safer at the rate for which it was designed.
- Do not use the power tool if the switch does not turn it on and off. Any power tool that cannot be controlled with the switch is dangerous and must be repaired.
- Remove the battery pack from the power source before making any adjustments, changing accessories, or storing power tools. Such preventive safety measures reduce the risk of starting the power tool accidentally.
- Store idle power tools out of the reach of children and do not allow persons unfamiliar with the power tool or these instructions to operate the power tool. Power tools are dangerous in the hands of untrained users.
- Maintain power tools. Check for misalignment or binding of moving parts, breakage of parts and any other condition that may affect the power tools operation. If damaged, have the power tool repaired before use. Many accidents are caused by poorly maintained power tools.
- Keep cutting tools sharp and clean. Properly maintained cutting tools with sharp cutting edges are less likely to bind and are easier to control.
- Use the power tool, accessories and tool bits etc., in accordance with these instructions and in the manner intended for the particular type of power tool, taking into account the working conditions and the work to be performed. Use of the power tool for operations, different from those intended, could result in a hazardous situation.

SERVICE

- Have your power tool serviced by a qualified repair person using only identical replacement parts. This will ensure that the safety of the power tool is maintained.

IV - Additional safety rules for angle drills / drivers

- Hold tool by insulated gripping surfaces when performing an operation where the driving screws may contact hidden wiring. Contact with a "live" wire will make exposed metal parts of the tool "live" and shock the operator.
- Be aware that this tool is always in an operat-

ing condition, because it does not have to be plugged into an electrical outlet. Always set the trigger switch to the locked OFF position when installing or removing the battery pack.

V - Additional instructions for work with the charger

- Before using the charger, read all the instructions and cautionary markings on the charger and battery pack as well as the instructions on using the battery pack.
- Only charge your batteries indoors as the charger is designed for indoor use only.



CAUTION: If the battery pack is cracked or damaged in any other way, do not insert it in the charger. There is a danger of electric shock.



WARNING: Do not allow any liquid to come into contact with the charger. There is a danger of electric shock.

- The charger is not intended for any use other than charging the exact type of SPARKY rechargeable battery pack as supplied with the charger. Any other use may result in the risk of fire or electric shock.
- The charger and battery packs supplied with it are specifically designed to work together. Do not attempt to charge the battery pack with any other charger than the one supplied.
- Do not place any object on top of the charger as it could cause overheating. Do not place the charger near any heat source.
- Do not pull on the lead of the charger to disconnect it from the power source.
- Make sure that the charger cable is positioned where it will not be stepped on, tripped over or otherwise subjected to damage or stress.
- Do not use an extension cord unless it is absolutely necessary. The use of an improper extension cord could cause the risk of fire or electric shock.
- Do not use the charger if it has been subjected to a heavy knock, dropped or otherwise damaged in any way. Do not operate charger with damaged cord or plug - have them replaced

- immediately. Take the charger to an authorised service centre for a check or repair.
- Do not disassemble the charger. Take it to an authorised service centre when service or repair is required. Incorrect re-assembly may result in the risk of fire or electric shock.
 - To reduce the risk of an electric shock, unplug the charger from the power supply before attempting to clean it. Removing the battery pack alone does not reduce the risk.
 - Never attempt to connect two chargers together.
 - The charger is designed for use from a standard household electrical supply (220–240V). Do not attempt to connect the charger to a supply with a different voltage.
 - If you wish to charge a second battery pack, unplug the charger from the mains supply and leave it for at least 15 minutes. After this time you can charge a second battery pack.
 - Under certain conditions, with the charger plugged in to the power supply, the exposed charging contacts inside the charger can be shorted by foreign material. Foreign materials of a conductive nature such as, but not limited to, steel wool, aluminium foil, or any build-up of metallic particles should be kept away from charger cavities. Always unplug the charger from the power supply when there is no battery pack in the cavity. Unplug charger before attempting to clean.
 - Do not freeze or immerse charger in water or any other liquid.

VI - Additional instructions for work with the battery pack

- The battery pack for this tool has been shipped in a low charge condition. You should charge the battery pack fully before use.
- Do not charge the tool in damp or wet environment.
- Longest life and best performance can be obtained if the battery pack is charged when the air temperature is between 65°F–75°F (18°C–24°C). DO NOT charge the battery set at air temperature below +40°F (+4.5°C), or above +105°F (+40.5°C). This is important and will prevent serious damage to the battery set.
- The charger and battery pack may become warm to touch while charging. This is a normal condition, and does not indicate a problem.
- To prevent overheating, do not charge battery packs in direct sunlight in hot weather or near

heat sources.

- Do not charge inside a box or container of any kind. The battery must be placed in a well ventilated area during charging.
- A small leakage of liquid from the battery pack cells may occur under extreme usage or temperature conditions. This does not indicate a failure. However, if the outer seal is broken and this leakage gets on your skin:
 - Wash quickly with soap and water.
 - Neutralise with a mild acid such as lemon juice or vinegar.
 - If battery liquid gets into your eyes, flush them with clean water for a minimum of 10 minutes and seek immediate medical attention. (Medical note: The liquid is 25-35% solution of potassium hydroxide.)
- If the battery pack does not charge properly:
 - (1) Check current at receptacle by plugging in a lamp or other appliance.
 - (2) Move charger and battery pack to a location where the surrounding air temperature is approximately 65°F–75°F (18°C–24°C).
 - (3) If charging problems persist, take or send the tool, battery pack and charger to your local service centre.
- The battery pack should be recharged when it fails to produce sufficient power on jobs, which were easily done previously. DO NOT CONTINUE to use under these conditions. Follow the charging procedure. You may also charge a partially used pack whenever you desire with no adverse affect on the battery pack.
- Do not incinerate the battery pack even if it is seriously damaged or can no longer hold a charge. The battery pack can explode in a fire.
- To facilitate the cooling of the battery pack after use, avoid placing the charger or battery pack in a warm environment such as in a metal shed, or an uninsulated trailer.



CAUTION: Never attempt to open the battery pack for any reason. If the plastic housing of the battery pack breaks or cracks, return to a service centre for recycling.

READ ALL OF THE INSTRUCTIONS IN THE CHARGER SECTION OF THIS MANUAL BEFORE ATTEMPTING TO CHARGE THE BATTERY PACK FOR YOUR TOOL.

- Always use correct SPARKY battery pack (the one supplied with tool or a replacement pack exactly like it.) Never install any other battery pack. It will ruin your tool and may create a hazardous condition.

- Charge battery packs only in SPARKY chargers.
- The battery pack utilizes nickel-cadmium cells. Cadmium is considered to be a toxic material. Use an environmentally safe disposal unit at a municipal waste disposal centre to dispose of a damaged or worn out battery.

FITTING OR REMOVING THE BATTERY PACK

To remove battery pack: Depress the battery release button and pull battery pack out of tool.

To install battery pack: Push battery pack onto tool until it locks in place. (Fig. 1)

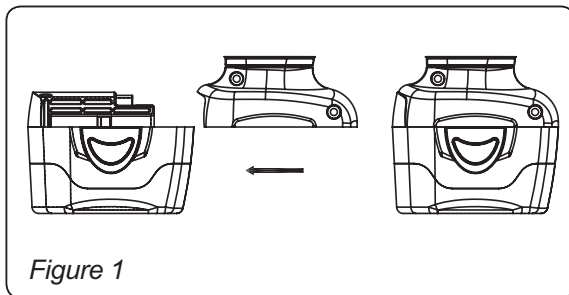


Figure 1

BATTERY CHARGING

Before using your cordless angle drill/driver for the first time, the battery pack should be fully charged. If the battery pack is installed in the machine, remove it by following the instruction under "Fitting or removing the battery pack".

As a battery pack approaches the discharged state, you will notice a sharp drop in tool performance. When the tool is unable to perform the task at hand, it is time to recharge; otherwise the total operation life of the pack shall be reduced. Discharging the pack beyond this point can damage the pack.

NOTE. Battery temperature will increase during and shortly after use. Batteries may not accept a full charge if they are charged immediately after use. Allow the battery pack to cool down to room temperature before charging for best results. After charging 2 empty battery packs, the charger must rest for 1 hour.



CAUTION: The charger must rest on the four pads provided on the bottom of the case. Vent slots in top and bottom of charger must not be obstructed. Do not charge battery when temperature of battery is below 40°F (4.4°C) or above 104°F (40°C).

If the supply cord is damaged, it must be replaced by the manufacturer or its Service agent or a similarly qualified person in order to avoid a hazard.

Ensure that the batteries are removed from the appliance before it is scrapped and that they are disposed of safely.

The appliance must be disconnected from the supply before removing the batteries.

NORMAL CHARGING

Make sure the power circuit voltage is the same as that shown on the charger specification plate. Connect charger to power source. The orange light (A) Fig. 2, should light up. This indicates that the charger is ready to begin charging.

Position battery pack on charger, align rails (Fig. 2, D) on battery charger with four tabs (Fig. 3, E) on battery pack. Slide battery forward onto charger until it stops.

The red light (Fig. 2, B) should begin to glow continuously, indicating that the battery pack is receiving a "Fast Charge". After approximately one hour, the "Fast Charge" indicator light (red) should go out indicating that the battery pack is fully charged and that the charger is now in a "Trickle Charge" mode (green light). The battery pack can be left on "Trickle Charge" until you are ready to use it.



CAUTION: When inserting battery pack onto charger, if the orange light (Fig. 2, A) starts to blink, and the green light (Fig. 2, C) begins to glow, indicating maybe battery temperature is too high or the battery voltage is too low, please leave battery pack on charger, it will be charged automatically when battery temperature is between 32°F (0°C) and 100°F (37.7°C) or when battery voltage becomes normal. Then the red light (Fig. 2, B) should begin to glow continuously, and the green light will turn off.

Depending on room temperature, line voltage, and existing charge level, initial battery charging may take longer than one hour.

Disconnect charger from power source when not in use.

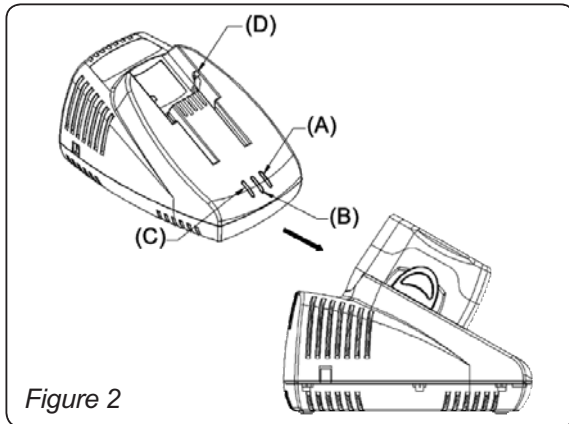


Figure 2

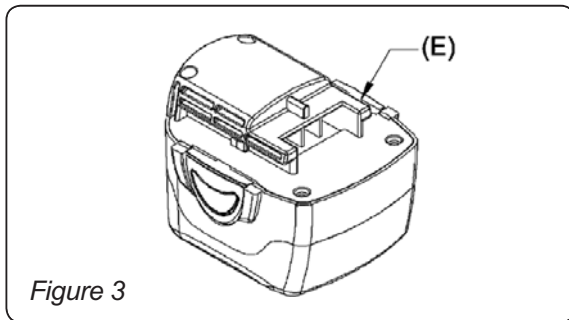


Figure 3

IMPORTANT INFORMATION FOR RECHARGING HOT BATTERIES

When using your cordless angle drill/driver continuously, the batteries in your battery pack will become hot. You should let a hot battery pack cool down for approximately 30 minutes before attempting to recharge. When the battery pack becomes discharged and is hot, the red light on the charger will flash. When the battery pack cools down, the red light will glow continuously to indicate fast charging mode, 1-hour charge time.

NOTE. This will occur when continuous use of your tool causes the battery pack to become hot. It does not occur under normal conditions.

VII - Know your product

1. ON/OFF switch
2. Forward/reverse switch
3. Keyless chuck
4. Torque control collar
5. Battery
6. Charger
7. LED charge indicator
8. Spindle lock button

VIII - Operation

SWITCH OPERATION

1. When the trigger switch is depressed, the tool rotates. When the trigger is released, the tool stops. (Fig. 4)
2. The rotation speed can be controlled by varying the pressure on the trigger switch. Light pressure on the trigger switch results in low rotation speed, further pressing results in smooth increase of the rpm to maximum upon reaching the extreme position.

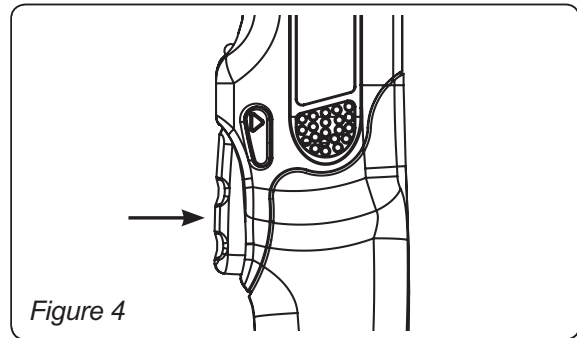


Figure 4

INSTALLING AND REMOVING BITS

CAUTION: Switch off the power tool prior to any procedure on it. To avoid involuntary switching on we recommend removing the battery pack.

1. Press button (8) to lock the spindle
2. Rotate the chuck (3) collar anti-clockwise until the jaws open sufficiently for the bit to be inserted.
3. Rotate the chuck collar clockwise to fasten the chuck.
4. Ensure the bit is secured.
5. Release button (8).

To remove the bit, with button (8) depressed, rotate the chuck anti-clockwise.

CAUTION: Never press button (8) while the spindle is still rotating. Otherwise this shall damage the tool and invalidate the manufacturer's warranty.

TIGHTENING AND LOOSENING SCREWS

Install the bit that matches the screw, line up the bit in the grooves of the head of the screw then tighten it.

Push the driver just enough to keep the bit fitting the head of the screw.



CAUTION: Over tightening can result in the screw breaking or damage to the end of the driver bit.

1. Applying this power tool for too long, shall tighten the screw excessively and break it.
2. If the machine is held at an angle to the screw being tightened, the head of the screw may be damaged, or the specified torque may not be transmitted to the screw. Always keep the unit and the screw being tightened in a straight line.

FORWARD / REVERSE SWITCH

The bit rotates clockwise (viewed from the rear by pushing the R-side of the push button. The L-side of the push button is pushed to turn the bit counter-clockwise. (Fig. 5)



CAUTION: The push button can not be switched while the drill is turning. To switch the push button, stop the machine and then set the push button.

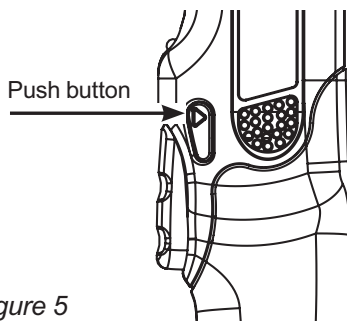


Figure 5

TORQUE ADJUSTMENT

By rotating the torque control collar behind the chuck, you can adjust the torque to each of the 12 settings. (Fig. 6)

The range of 12-torque setting allows better control when using the drill as screwdriver as it prevents over tightening of the screws.

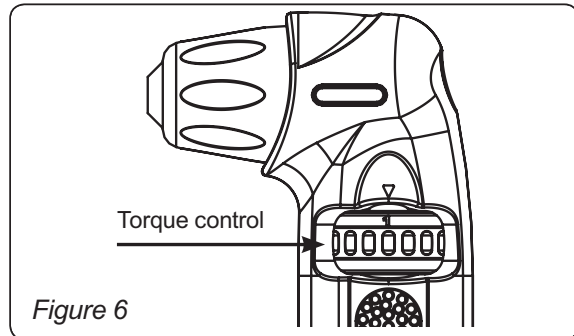


Figure 6

IX - Maintenance

CLEANING

- With the motor running, blow dirt and dust out of all air vents with dry air at least once a week. Wear safety glasses while performing this.
- Exterior plastic parts may be cleaned with a damp cloth and mild detergent.



CAUTION: Although exterior plastic parts are highly solvent resistant, NEVER use solvents.

Charger Cleaning Instructions

- Dirt and grease may be removed from the exterior of the charger using a cloth or soft non-metallic brush. Do not use water or any cleaning solutions.



CAUTION: Disconnect the charger from the AC outlet before cleaning.



WARNING: To assure product safety and reliability, repairs, maintenance and adjustment (including brush inspection and replacement) should be performed by certified service centres or other qualified service organisations, always using identical replacement parts.

ACCESSORIES

Recommended accessories for use with your tool are available at extra cost from your local SPARKY service centre.

X - Warranty

The guarantee period for SPARKY power tools is determined in the guarantee card.

Faults due to normal wear, overloading or improper handling will be excluded from the guarantee.

Faults due to defective materials implemented as well as defects in workmanship will be corrected free of charge through replacement or repair.

The complaints for defective SPARKY power tools will be recognized if the machine is sent back to the dealer or is presented to the authorised warranty service centre undismantled, in its initial condition.

Notes

Carefully read the entire Instruction Manual before using this product.

With continuing product development changes may have occurred which render the product received slightly different to that shown in this instruction manual. The manufacturer reserves the right to change specifications without notice.

Specifications may differ from country to country.



Inhalt

I - Einführung	10
II - Technische Angaben	11
III - Sicherheitsregeln bei Arbeiten mit Elektrogeräten	11
IV - Zusätzliche Sicherheitsregeln für Winkelbohrschrauber	13
V - Zusätzliche Arbeitsregeln für Betrieb mit Ladegerät	13
VI - Zusätzliche Regeln für Betrieb mit der Batterie	14
VII - Bekanntmachen mit dem Elektrogerät	A/17
VIII - Betriebsanleitungen	17
IX - Wartung	18
X - Garantie	19

AUSVERPACKEN

Entsprechend den allgemeinangenommenen Herstellungstechnologien ist es kaum wahrscheinlich, dass das von Ihnen erworbene Elektrogerät beschädigt ist, oder irgendwelcher Teil fehlt. Falls Sie merken, dass etwas nicht in Ordnung ist, beginnen Sie nicht mit der Arbeit, bevor der beschädigte Teil nicht ersetzt oder die Störung nicht beseitigt ist. Die Nichtbeachtung dieser Empfehlungen kann zu schweren Unfällen führen.

ZUSAMMENBAU

Der Akku – Winkelbohrschrauber BAR 12E wird verpackt und komplett zusammengebaut geliefert.

I - Einführung

Das von Ihnen neuerworbene SPARKY – Elektrogerät wird Ihre Erwartungen überspringen. Es ist entsprechend den hohen Qualitätsstandards von SPARKY hergestellt, die den strengen Anforderungen des Verbrauchers entsprechen. Leicht zum Bedienen und ungefährlich beim Betrieb, wird dieses Elektrogerät bei bestimmungsgemäßem Verbrauch Ihnen zuverlässig lange Jahre dienen.

ACHTUNG!

Lesen Sie die ganze Bedienungsanleitung aufmerksam, bevor Sie das neuerworbene SPARKY – Elektrogerät in Betrieb nehmen. Beachten Sie besonders die Texte, die mit den Wörtern „Achtung“ oder „Warnung“ beginnen. Ihr SPARKY – Elektrogerät besitzt viele Eigenschaften, die Ihre Arbeit erleichtern werden. Bei der Entwicklung dieses Elektrogerätes ist höchste Aufmerksamkeit der Sicherheit, den Betriebseigenschaften und der Zuverlässigkeit gewidmet, die das Elektrogerät leicht zur Wartung und Bedienung machen.



Werfen Sie Elektrowerkzeuge nicht in den Hausmüll!

Nicht mehr gebrauchsfähige Elektrowerkzeuge gehören nicht zum Alltagsmüll. Sie sollten einer umweltgerechten Wiederverwertung zugeführt werden. Zum Recycling sollten Sie sich an die örtliche Behörde oder ihre Vertreter wenden.

UMWELTSCHUTZ



Gerät, Zubehör und Verpackung sollten einer umweltgerechten Wiederverwertung zugeführt werden. Zum sortenreinem Recycling sind die Kunststoffteile entsprechend gekennzeichnet.





BEDEUTUNG DER SYMBOLE

Auf dem Typenschild des Elektrogerätes sind spezielle Symbolbezeichnungen angebracht. Sie geben wichtige Information über das Produkt oder Instruktionen für seine Nutzung.



Doppelisolierung zum zusätzlichen Schutz.



Übereinstimmung mit den Europäischen Sicherheitsstandards.



II - Technische Angaben

BAR 12E

- Spannung: 12 V ---
- Leerlaufgeschwindigkeit: 0–800 min^{-1}
- Schellspannfutter: 1.5–10 mm
- Max. Durchmesser des Bohrers für:
 - Holz 24 mm
 - Stahl 10 mm
- Max. Drehmoment: 18 Nm
- Drehmomentregelung: 12 Stellungen
- Steuerelektronik Links- Rechts - Lauf ja
- LCD-Anzeige der Ladung: ja
- Länge: 350 mm
- Gewicht (mit Batterie): 2 kg

BATTERIE (Ni-Cd)

- Spannung: 12V
- Kapazität: 2 Ah

LADEGERÄT

- Am Eingang:
- Spannung /Frequenz: 230V~50Hz
- Stromaufnahme: 45 W
- Ausgangsspannung /-strom: 12 V --- 1.8 A
- Ladezeit: 1 h
- Schalldruckpegel: $L_{pA} = 67.14 \text{ dB (A)}$
- Schalleistungspegel: $L_{WA} = 78.14 \text{ dB (A)}$
- Korrigierter Beschleunigungswert: 0.40 m/s^2

III - Sicherheitsregeln beim Arbeiten mit Elektrogeräten



ACHTUNG: Lesen Sie alle Anleitungen! Die Nichtbeachtung der unten aufgezählten Instruktionen kann Verletzung durch elektrischen Strom, Brand und/oder ernste Betriebsunfall verursachen. Der Begriff „Elektrogerät“ weiter unten betrifft Ihr durch Batterie (Akku) gespeistes Elektrogerät.

Bewahren Sie diese Anleitungen gut auf!

ARBEITSPLATZ

- Sorgen Sie um einen sauberen und gut beleuchteten Arbeitsplatz. Die Unordnung und die ungenügende Beleuchtung des Arbeitsplatzes sind Voraussetzung für Arbeitsunfälle.
- Arbeiten Sie mit den Elektrogeräten nicht in explosionsgefährdeter Umgebung, zum Beispiel im Anwesenheit von brennbaren Flüssigkeiten, Gasen oder Staub. Die Elektrogeräte funken, was

- den Staub oder die Dämpfe entflammen kann.
- Halten Sie Kinder und andere Personen fern, wenn Sie mit dem Elektrogerät arbeiten. Das Ablenken kann Kontrollverlust Ihrerseits verursachen.

ELEKTRISCHE SICHERHEIT

- Vermeiden Sie die Berührung des Körpers an geerdeten Oberflächen wie Heizkörper, Wasserleitungen, Küchenherde und Kühlschränke. Wenn Ihr Körper geerdet ist, besteht erhöhtes Risiko von Verletzungen durch elektrischen Strom.
- Arbeiten Sie nicht mit den Geräten beim Regen und bei Feuchtigkeit. Das Durchdringen vom Wasser ins Elektrogerät erhöht das Risiko von Verletzungen durch elektrischen Strom.

PERSÖNLICHER SCHUTZ

- Seien Sie wachsam, arbeiten Sie mit erhöhtem Vorsicht und handeln Sie bedacht, wenn Sie mit dem Elektrogerät arbeiten. Verwenden Sie das Elektrogerät nicht, wenn Sie müde oder unter dem Einfluß von Narkotika, Alkohol oder Medikamenten sind. Die momentane Unachtsamkeit bei der Arbeit mit dem Elektrogerät kann ernste Betriebsunfälle verursachen.
- Tragen Sie individuelle Schutzmittel. Tragen Sie stets Schutzbrille. Die individuelle Schutzmittel, z.B. Staubmaske, nicht rutschende Schuhe, Schutzhelm oder Gehörschutz, verwendet in Abhängigkeit von den konkreten Bedingungen, vermindern das Risiko vor Betriebsunfällen.
- Strecken Sie sich nicht. Halten Sie die richtige Haltung während der ganzen Zeit. Das erlaubt das bessere Beherrschen des Elektrogerätes bei unvorhersehbaren Situationen.
- Tragen Sie geeignete Arbeitsbekleidung. Tragen Sie keine weite Kleidungen oder Schmuck. Halten Sie die Haare, die Kleidungsstücke und die Handschuhe fern von sich beweglichen Teilen. Die weite Kleidungsstücke, das Schmuck oder die langen Haaren können von den beweglichen Teilen angegriffen werden.
- Falls das Elektrogerät mit einem Staubsaugereinrichtung ausgerüstet ist, dann sorgen Sie um den richtigen Anschluß und die richtige Benutzung. Die Verwendung solcher Einrichtungen vermindert die mit dem Staub verbundenen Risiken.

VERWENDUNG DER ELEKTROGERÄTE UND SORGEN UM SIE

- Vor dem Einsetzen der Akku – Batterie stellen Sie sicher, dass der Hauptschalter ausgeschaltet ist. Das Einsetzen der Batterie in ein Elektrogerät mit eingeschaltetem Hauptschalter stellt eine Voraussetzung für Unfälle dar.

- Laden Sie die Batterien nur mit Hilfe eines Ladegerätes, empfohlen von dem Hersteller. Ein Ladegerät, das für eine Art Batterien geeignet ist, kann zu Brandrisiken führen, wenn es mit anderen Batteriearten verwendet wird.
- Verwenden Sie die Elektrogeräte nur mit den dafür vorgesehenen Batterien. Die Verwendung anderer Batterietypen kann Risiken vor Unfall und Brand verursachen.
- Wenn Sie die Batterie nicht verwenden, halten Sie sie fern von Münzen, Büroklammern, Schlüsseln, Nageln, Schrauben und anderen kleinen Metallgegenständen, die ihre Ausgänge kurz schließen können. Ein Kurzschluß der Ausgänge der Batterie kann Verbrennungen oder Brand verursachen.
- Bei falschem Gebrauch kann von der Batterie Flüssigkeit ausfließen. Vermeiden Sie Kontakt mit der Flüssigkeit. Wenn trotzdem sowas geschieht, spülen Sie reich mit sauberem Wasser. Wenn Batterieflüssigkeit in den Augen gerät, sollen Sie sich mit einem Arzt beraten. Die aus der Batterie auslaufende Flüssigkeit kann Entzündung oder Verbrennungen verursachen.
- Überlasten Sie das Elektrogerät nicht. Wählen Sie das geeignete Elektrogerät für die konkrete Arbeit aus. Das richtig ausgewählte Elektrogerät arbeitet besser und sicherer in den Leistungsgrenzen, für die es entwickelt ist.
- Verwenden Sie das Elektrogerät nicht, wenn sein Hauptschalter nicht in EIN- und AUS-Stellung umschalten kann. Ein Elektrogerät, das mit dem Hauptschalter nicht gesteuert werden kann, ist gefährlich und soll repariert werden.
- Entfernen Sie die Batterie von dem Ladegerät, bevor Sie egal welche Einstellungen, Austausch von Werkzeugen oder Aufbewahrung des Elektrowerkzeuges vornehmen. Diese Vorsichtsmaßnahme vermindert das Risiko vor ungewolltem Anlassen des Elektrogerätes.
- Wenn Sie mit den Elektrogeräten nicht arbeiten, bewahren Sie sie an einem Ort, unzugänglich für Kinder auf und erlauben Sie Personen, die das Elektrogerät oder diese Betriebsanleitung nicht kennen, nicht mit ihm zu arbeiten.
- Warten Sie die Elektrogeräte. Überprüfen Sie, ob die sich bewegliche Teile normal funktionieren und sich frei bewegen, die Ganzheit und den ordnungsgemäßen technischen Zustand der Teile, sowie auch alle andere Umstände, die ungünstig die Arbeit der Elektrogeräte beeinflussen können. Wenn das Elektrogerät beschädigt ist, soll es vor dem weiteren Gebrauch repariert werden. Die schlechte Wartung ist die Ursache für die große Anzahl Unfälle.
- Halten Sie die Schneidwerkzeuge sauber und

scharf. Die richtig gewarteten Schneidwerkzeuge blockieren seltener und können leichter gesteuert werden.

- Verwenden Sie das Elektrogerät, seine Zubehörteile und die Arbeitswerkzeuge in Übereinstimmung mit diesen Instruktionen und auf die Art und Weise, vorgesehen für das konkrete Elektrogerätetyp, wobei Sie die Betriebsbedingungen und den Charakter der durchgeführten Arbeit beachten. Die Verwendung des Elektrogerätes für Arbeiten, anders als diese, für welche es bestimmt ist, kann gefährliche Situation verursachen.

SERVICE

- Die Reparatur soll von qualifizierten Fachleuten, unter Verwendung nur von Originalersatzteilen durchgeführt werden. So wird die sichere Arbeit mit dem Elektrogerät gewährleistet.

IV - Zusätzliche Sicherheitsregeln für Winkelbohrschrauber

- Fassen Sie das Elektrogerät an den isolierten Oberflächen bei der Durchführung einer Operation, bei welcher möglich ist, die bearbeitete Schraube eine versteckte Installation zu berühren. Die Berührung einer Leitung unter Spannung wird die Metalleile des Elektrogerätes unter Spannung legen und Stromschlag auf dem Betreiber verursachen.
- Sie sollen begreifen, dass dieses Elektrogerät immer im Betriebszustand ist, weil es nicht erforderlich ist, es ins Netz zu schließen. Stellen Sie den Hauptschalter immer in AUS – Stellung, wenn Sie die Batterie legen oder sie entfernen.

V - Zusätzliche Regeln für die Arbeit mit dem Ladegerät

- Bevor Die das Ladegerät verwenden, lesen Sie alle Instruktionen und Sicherheitsbezeichnungen auf dem Ladegerät und der Batterie, sowie auch die Instruktionen für die Arbeit mit der Batterie.
- Laden Sie die Batterie nur in geschlossenen Räumen auf, da das Ladegerät nur für solche Räume bestimmt ist.



ACHTUNG: Falls die Batterie rissig oder sonst beschädigt ist, legen Sie sie nicht in das Ladegerät. Es besteht Stromschlaggefahr.



WARNUNG: Der Kontakt von egal welchen Flüssigkeiten mit dem Ladegerät ist unerlaubt. Es besteht Stromschlagrisiko.

- Das Ladegerät ist ausschließlich für die Arbeit mit der SPARKY – Batterie bestimmt, die im Lieferumfang ist. Jede andere Verwendung kann Brand- oder Stromschlaggefahr verursachen.
- Das Ladegerät und die mit ihm gelieferte Batterie sind bestimmt, nur zusammen zu arbeiten. Versuchen Sie nicht, die Batterie mit einem anderen Ladegerät, anders als dieses in dem Lieferumgang, aufzuladen.
- Legen Sie keine Gegenstände auf das Ladegerät, da das eine Überwärmung verursachen kann. Stellen Sie das Ladegerät nicht in der Nähe von Wärmequellen.
- Ziehen Sie nicht das Kabel des Ladegerätes, um es aus dem Speisernetz zu trennen.
- Stellen Sie sicher, dass das Kabel des Ladegerätes so verlegt ist, dass es nicht getreten, beschädigt oder einer mechanischen Belastung unterworfen werden kann.
- Verwenden Sie keine Verlängerungsleitungen, außer wenn das nicht dringend erforderlich ist. Die Verwendung eines ungeeigneten Verlängerungskabels kann Brand- oder Stromschlaggefahr verursachen.
- Verwenden Sie das Ladegerät nicht, wenn es einem starken Schlag unterworfen, fallengelassen oder sonst beschädigt worden ist. Verwenden Sie das Ladegerät nicht, wenn sein Kabel oder Stecker beschädigt sind – sie sollen sofort ersetzt werden. Bringen Sie das Ladegerät in einem Service zwecks Überprüfung oder Reparatur.
- Bauen Sie das Ladegerät nicht auseinander. Falls eine Reparatur erforderlich ist, wenden Sie sich an einem autorisierten Service. Der falsche Wiedereinbau kann Brand- oder Stromschlaggefahr verursachen.
- Zur Vermeidung der Stromschlaggefahr trennen Sie das Ladegerät vom Netz vor seiner Reinigung. Nur das Entfernen der Batterien vermindert diese Gefahr nicht.
- Versuchen Sie nie, zwei Ladegeräte zusammen zu schalten.

- Dieses Ladegerät ist für die Speisung von dem Standardspeisernetz vorgesehen (220–240 V). Versuchen Sie nicht, das Ladegerät an einem Netz mit anderer Speisespannung anzuschließen.
- Falls Sie eine zweite Batterie aufladen wollen, trennen Sie das Ladegerät vom Netz und lassen es mindestens 15 Minuten abkühlen. Nach Ablauf dieser Zeit können Sie die nächste Batterie aufladen.
- Unter bestimmten Bedingungen und wenn das Ladegerät mit dem Speisernetz verbunden ist, kann ein fremder Gegenstand Kurzschluß zwischen den geöffneten Kontakten des Ladegerätes verursachen. Die stromleitenden Stoffe, zum Beispiel Stahlwolle, Allufoleie, oder andere Stoffe aus Metalleilchen sollen fern von den Öffnungen des Ladegerätes gehalten werden. Immer wenn sich in dem Ladegerät keine Batterien befinden sollen Sie es aus dem Netz trennen. Schalten Sie das Ladegerät immer, bevor Sie mit seiner Reinigung beginnen.
- Frosten Sie das Ladegerät nicht ein und tauchen Sie es nicht ins Wasser oder in anderen Flüssigkeiten.

VI - Zusätzliche Regeln für den Umgang mit der Batterie

- Die Batterie für dieses Elektrogerät wird nicht voll beladen geliefert. Sie soll vor dem Arbeitsbeginn komplett aufgeladen werden.
- Laden Sie das Elektrogerät nicht in feuchter oder nasser Umgebung auf.
- Höchste Lebensdauer und Betriebseigenschaften können dann erreicht werden, wenn die Batterie bei Umgebungstemperatur 65°F–75°F (18°C–24°C) aufgeladen wird. Laden Sie die Batterie nicht bei Umgebungstemperaturen unter +40°F (+4.5°C) oder über +105°F (+40.5°C) auf. Das hat große Bedeutung und ist Voraussetzung für die Vermeidung von ernststen Schaden der Batterie.
- Während der Aufladung können sich das Ladegerät und die Batterie erwärmen. Das ist normal und spricht nicht für Vorhandensein eines Problems.
- Um eine Übererwärmung zu vermeiden, laden Sie die Batterie nicht bei direkter Sonnenlicht, wenn es zu heiß ist oder in der Nähe an Wärmequellen auf.
- Laden Sie nicht in einer Kabine oder in einem Tank. Während der Aufladung soll sich die Batterie in einem gut belüfteten Raum befinden.

- In seltenen Fällen und bei erschwertem Betrieb ist das Auslaufen von kleinen Flüssigkeitsmengen aus der Batterie möglich. Dass bedeutet keine Störung. Trotzdem sollen Sie sich bei deffekter Außendichtung und bei Kontakt der Haut mit der Flüssigkeit schnell mit Wasser und Seife waschen.
 - Neutralisieren Sie die getroffene Stelle mit schwacher Säure, z.B. Zitronensaft oder Essig.
 - Bei Kontakt dieser Flüssigkeit mit den Augen sollen Sie sie reichlich mit sauberem Wasser wenigstens 10 Minuten spülen und gleich ärztliche Hilfe suchen (Hinweis: Die Flüssigkeit ist 25-35%-ige Lösung vom Kallium-Hydroxyd)
- Wenn sich die Batterie nicht normal auflädt.
 - (1) Überprüfen Sie mit einer Lampe oder Phasenmesser, ob die Spannung nicht ausgefallen ist.
 - (2) Stellen Sie das Ladegerät und das Elektrogerät an einem Ort, wo die Umgebungstemperatur ca. 65°F–75°F (18°C–24°C) ist.
 - (3) Wenn trotzdem es Ladeprobleme gibt, bringen Sie das Elektrogerät mit der Batterie und das Ladegerät zu dem Kundendienst.
- Die Batterie soll dann aufgeladen werden, wenn sie nicht genügend Leistung für Operationen, die vorher leicht durchgeführt worden sind, zu produzieren beginnt. **STELLEN SIE IN DIESEM FALL DIE ARBEIT EIN.** Beginnen Sie mit der Ladeprozedur. Jederzeit können Sie eine teilweise verbrauchte Batterie laden, ohne ihr Schaden zuzufügen.
- Verbrennen Sie die Batterien sogar dann nicht, wenn sie ernste Defekte aufweisen und nicht mehr aufgeladen werden können. Die Batterien können im Feuer explodieren.
- Um die Abkühlung der Batterie nach ihrem Verbrauch zu erleichtern, vermeiden Sie eine Verwendung des Ladegerätes oder der Batterie unter Metallvordach oder in einem Wagen ohne Wärmeisolierung.



ACHTUNG: Versuchen Sie nie, egal aus welchen Gründen, die Batterie aufzumachen. Wenn der Kunststoffkörper bricht, oder reißt, übergeben Sie die Batterie in einem Service zum Rezyklieren.

BEVOR SIE VERSUCHEN, DIE BATTERIE IHRES ELEKTROGERÄTES ZU LADEN, LESEN SIE ALLE INSTRUKTIONEN IN DEM ABSCHNITT „LADEGERÄT“.

- Verwenden Sie immer die geeignete SPARKY

– Batterie (diese, die zusammen mit dem Elektrogerät geliefert ist oder eine gleiche) Legen Sie keine andere Batterie ein. Das wird das Elektrogerät beschädigen und kann gefährliche Situation verursachen.

- Laden Sie die Batterien nur mit einem SPARKY - Ladegerät.
- Die Batterie besteht aus Nickel – Kadmium – Zellen. Man glaubt, dass Kadmium ein Giftstoff ist. Werfen Sie die Batterie nicht zusammen mit dem Hausmüll. Die Batterien sollen getrennt gesammelt und zum Rezyklieren entsprechend den Umweltschutzanforderungen abgegeben werden.

EINLEGEN UND ENTFERNEN DER BATTERIE

Um die Batterie zu entfernen, drücken Sie die Fixierstücke zum Befreien der Batterie und ziehen Sie sie raus.

Um die Batterie einzulegen: Richten Sie die Schieber des Elektrogerätes mit den vier Fixierstücken auf der Batterie aus und verschieben Sie die Batterie in dem Elektrogerät, bis Sie das charakterliche Klickgeräusch hören. (Abb. 1)

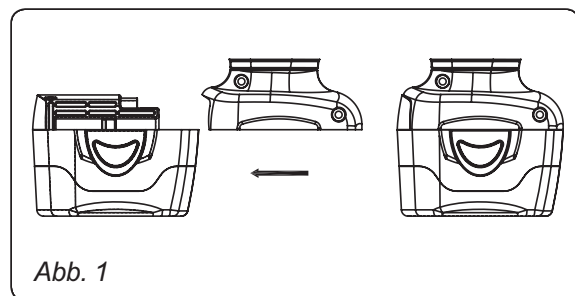


Abb. 1

LADEN DER BATTERIEN

Vor der ersten Inbetriebnahme des Akku – Schraubbohrers soll die Batterie voll aufgeladen werden. Falls sich die Batterie in der Maschine befindet, nehmen Sie sie raus, indem Sie die Hinweise im Abschnitt „Einlegen und Entfernen der Batterie“ folgen.

Wenn die Batterie nicht genug aufgeladen ist, merkt man eine starke Senkung der Leistung. Falls das Elektrogerät seine unmittelbare Aufgabe nicht mehr erfüllen kann, soll die Batterie aufgeladen werden; ansonsten vermindert sich das Leben der Batterie. Eine weitere Entladung kann die Batterie beschädigen.

HINWEIS: Während dem Betrieb und kurz danach wird sich die Temperatur der Batterie erhöhen. Falls die Batterie gleich nach dem Gebrauch aufgeladen wird, kann sie nicht vollständig geladen

werden. Um das beste Ergebnis zu erreichen, warten Sie vor der Aufladung die Abkühlung der Batterie bis Zimmertemperatur ab.

Nach der Aufladung von 2 Batterien soll das Ladegerät eine Stunde lang nicht verwendet werden.

! ACHTUNG: Das Ladegerät soll auf den vier Gummifüßen gestellt werden. Die Lüftungsöffnungen an der oberen und unteren Seite des Ladegerätes dürfen nicht verdeckt sein. Laden Sie die Batterie nicht, wenn ihre Temperatur 40°F (4.4°C) oder über 104°F (40°C) ist.

Falls das Netzkabel des Ladegerätes defekt ist, soll es von dem Hersteller, von einem autorisierten Kundendienst oder von einem Fachmann mit ähnlicher Qualifikation ersetzt werden, um das Risiko bei dem Austausch zu vermeiden.

Stellen Sie sicher, dass die Batterie aus dem Ladegerät herausgenommen ist, bevor es gebrückt wird und geben Sie das Ladegerät und die Batterie zur Wiederverwertung ab.

Vor dem Entfernen der Batterie trenne Sie das Ladegerät vom Netz.

LADEN DER BATTERIEN

Stellen Sie sicher, dass die Netzspannung der Spannung, angegeben auf dem Typenschild des Ladegerätes entspricht. Schließen Sie das Ladegerät zum Netz. Das orange Licht (A) Abb.2 soll aufleuchten. Das bedeutet, dass das Ladegerät betriebsbereit ist.

Legen Sie die Batterie auf das Ladegerät ein, richten Sie die Schieber (Abb. 2D) des Ladegerätes mit den vier Fixierstücken aus (Abb. 3E) der Batterie aus. Schieben Sie die Batterie nach vorne bis zum Anschlag in dem Ladegerät.

Das rote Licht (Abb. 2B) soll dauernd leuchten, was „Schnellladung“ – Betrieb anzeigt. Nach ca. einer Stunde soll die „Schnellladung“ – Anzeige erlöschen, was bedeuten soll, dass die Batterie voll aufgeladen und das Ladegerät in Standbymodus „langsame Aufladung“ (grünes Licht) ist. Die Batterie kann in diesem Modus bleiben, bis Sie sie wieder brauchen.

! ACHTUNG: Beim Einlegen der Batterie in das Ladegerät, wenn das orange Licht zu blinken (Abb. 2A) und das grüne Licht (Abb. 2C) dauern zu leuchten beginnt, lassen Sie die Batterie in dem Ladegerät. Dass zeigt an, dass die Batterie entweder zu hohe Temperatur oder zu niedrige Spannung hat. Die Aufladung wird automatisch beginnen, wenn die Temperatur der Batterie zwischen 32°F (0°C) und 100°F (37.7°C) ist, oder wenn die Spannung die normale Spannung erreicht. Dass wird das rote Licht wieder dauernd leuchten und das grüne Licht – erlöschen.

In Abhängigkeit von der Zimmertemperatur, der Phasenspannung und der Ladung, kann die erste Aufladung der Batterie mehr als eine Stunde in Anspruch nehmen.

Wenn Sie das Ladegerät nicht verwenden, trennen Sie es vom Netz.

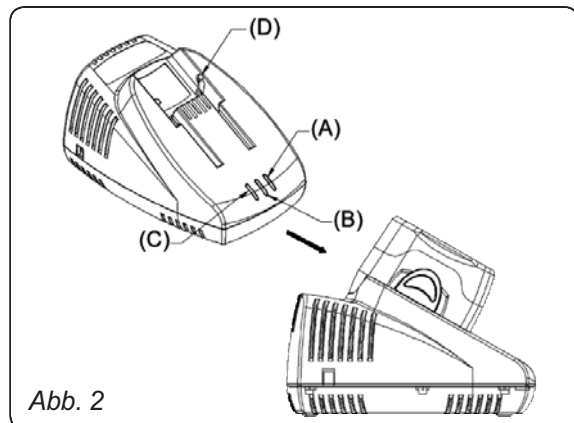


Abb. 2

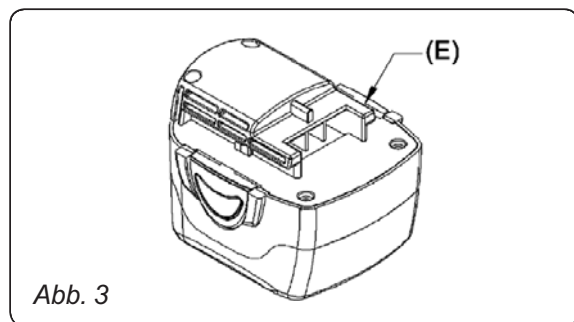


Abb. 3

WICHTIGE INFORMATION FÜR DIE AUFLADUNG VON HEISSEN BATTERIEN

Bei längerer Arbeit mit dem Elektrogerät wird sich die Batterie erwärmen. Sie sollen die heiße Batterie circa 30 Minuten abkühlen lassen, bevor Sie versuchen, sie wieder aufzuladen. Wenn die Bat-

terie sich entlädt und warm ist, wird das rote Licht des Ladegerätes zu blinken beginnen. Nach der Abkühlung der Batterie wird das rote Licht dauern leuchten, was wieder eine Schnellladung mit einer Dauer von 1 Stunde anzeigt.

HINWEIS: Das merkt man nur nach längerer Arbeit mit dem Elektrogerät, wenn die Batterie erwärmt ist. Bei normalen Betriebsbedingungen wird so was nicht beobachtet.

VII - Bekanntmachung mit dem Elektrogerät

1. Umschalter
2. Hebel für das Drehrichtungwechsel
3. Schnellspannfutter
4. Ring für Momentregelung
5. AKKU - Batterie
6. Ladegerät
7. LCD-Ladeanzeige
8. Spindelfixierungsknopf

VIII - Betriebsanleitungen

BETÄTIGEN DES HAUPTSCHALTERS

1. Um das Elektrogerät einzuschalten, drücken Sie den Habel des Hauptschalters. Um das Elektrogerät auszuschalten, lassen Sie den Hebel los. (Abb. 4)
2. Die Drehgeschwindigkeit wird durch den Druck auf dem Hebel geregelt. Ein leichter Druck verursacht einen Betrieb der Maschine mit niedrigerer Drehzahl, die stufenlos bis zu der max. Drehzahl durch Erhöhung des Druckes auf den Hebel bis zum Endzustand erhöht wird.

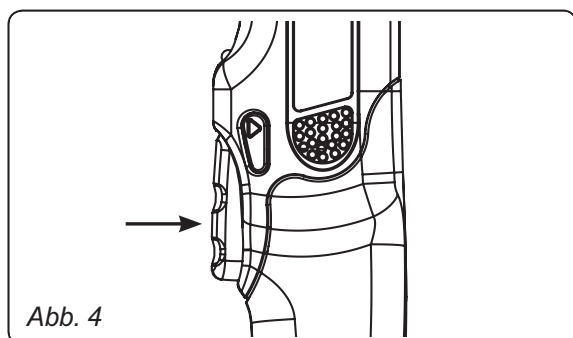


Abb. 4

EINSETZEN UND ENTNEHMEN EINES WERKZEUGS



ACHTUNG: Vor jeglichen Arbeiten das Elektrowerkzeug ausschalten. Um eine unbeabsichtigte Inbetriebnahme zu vermeiden, nehmen Sie den Akku heraus.

1. Zum Fixieren der Spindel Knopf (8) drücken.
2. Den Kranz des Bohrfutters (3) in Richtung entgegengesetzt dem Uhrzeigersinn drehen, bis sich seine Backen genug geöffnet haben, um das Werkzeug einzusetzen.
3. Zum Festziehen den Kranz des Bohrfutters in Richtung Uhrzeigersinn drehen.
4. Stellen Sie sicher, dass das Werkzeug fest gespannt ist.
5. Knopf (8) lösen.

Zum Entnehmen des Werkzeugs bei gedrücktem Knopf (8) das Bohrfutter in Richtung entgegengesetzt dem Uhrzeigersinn drehen.



ACHTUNG: Das Drücken am Knopf (8) bei sich drehender Spindel ist nicht gestattet. Das kann zu Beschädigungen führen und die Garantie des Herstellers ungültig machen.

ZU – UND AUFDREHEN VON SCHRAUBEN

Setzen Sie ein Werkzeug, das für die Schraube passt, zentrieren Sie das Werkzeug in den Schlitzen des Schraubenkopfes und drehen Sie fest.

Über Sie einen Längsdruck auf der Maschine aus, erforderlich nur zum Festhalten des Schraubenkopfes.



ACHTUNG: Das Überfestziehen kann Brechen der Schraube oder Beschädigung des Werkzeuges verursachen

1. Die verlängerte Zeit des Festziehens wird die Schraube überziehen und sie kann brechen
2. Ein Festziehen mit der Maschine schräg zur Schraube kann den Schraubenkopf beschädigen, außerdem wird das Drehmoment nicht voll zur Schraube übertragen.

HEBEL FÜR DIE VERÄNDERUNG DER DREHRICHTUNG

Beim Drücken der rechten Seite des Hebels des Hauptschalters (von hinten gesehen) dreht sich das Werkzeug in Uhrzeigerichtung. Für die Drehung des Werkzeuges in die entgegengesetzte Richtung wird der Hebel von der linken Seite gedrückt. (Abb. 5)



ACHTUNG: Der Hebel kann nicht gedrückt werden, solange sich der Antrieb dreht. Um die Drehrichtung zu wechseln, schalten Sie das Gerät aus und wechseln Sie erst dann mit Hilfe des Hebels die Drehrichtung.

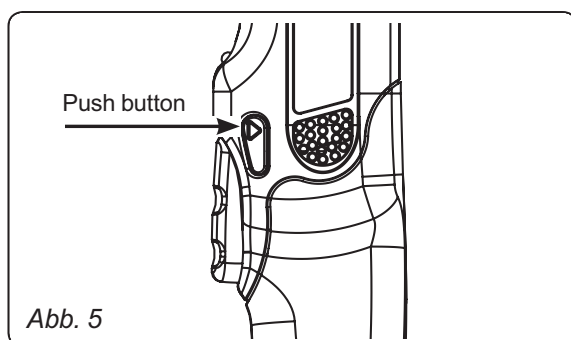


Abb. 5

DREHMOMENTREGELUNG

Das Drehmoment kann an eine der 12 Stellungen durch Drehen des Spannfuterring eingestellt werden. (Abb. 6)

Der Umfang dieser 12 Stellungen erlaubt eine bessere Kontrolle beim Festziehen, da eine Überziehung vermeiden wird.

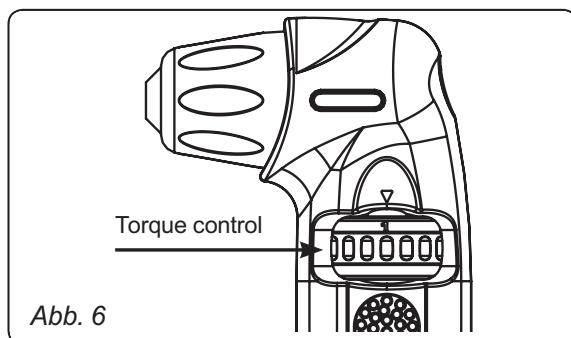


Abb. 6

IX - Wartung

REINIGEN

- Bei sich drehendem Elektroantrieb, blasen Sie die Verunreinigungen und den Staub von allen Lüftungsöffnungen mit trockener Druckluft wenigstens einmal in der Woche aus. Während dieser Operation tragen Sie Schutzbrille.
- Die äußere Kunststoffteile können mit einem feuchten Tuch und schwachem Waschmittel gereinigt werden.



ACHTUNG: Trotz dass die äußeren Kunststoffteile Lösungsmittelfest sind, verwenden Sie NIE Lösungsmittel.

Hinweise für die Reinigung des Ladegerätes:

- Die verschmutzte und verschmierte Außen- teile des Ladegerätes werden mit einem Tuch oder einer nichtmetallische Bürste gereinigt. Verwenden Sie dafür kein Wasser und Reinigungs- lösungen.



WARNING: Vor der Reinigung tren- nen Sie das Ladegerät vom Netz.



WICHTIG: Um einen sicheren Betrieb mit dem Elektrogerät und seine Zuverlässigkeit zu gewährleisten sollen alle Arbeiten, verbun- den mit der Reparatur, der Wartung und Einstel- lung (einschl. Überprüfung und Auswechseln der Bürsten) in den autorisierten Kundendienst- stellen oder in anderen qualifizierten Serviceor- ganisationen, unter Anwendung von nur Origina- lersatzteilen durchgeführt werden.

ZUBEHÖRTEILE, DIE MIT DIESEM ELEKTROGERÄT VERWENDET WERDEN KÖNNEN

Die Zubehörteile, die zur Verwendung mit diesem Elektrogerät empfohlen werden, können Sie ge- gen Aufpreis von dem örtlichen SPARKY – Kun- dendienst besorgen.

X - Garantie

Die Garantiefrist der SPARKY-Elektrowerkzeuge wird im Garantieschein bestimmt.

Schäden, die auf natürliche Abnutzung, Überlastung oder unsachgemäße Handhabung zurückzuführen sind, bleiben von der Garantie ausgeschlossen.

Schäden, die durch Material- und/oder Herstellerfehler entstanden sind, werden unentgeltlich durch Ersatzlieferung oder Reparatur beseitigt.

Beanstandungen bezüglich eines beschädigten SPARKY-Elektrowerkzeugs können nur anerkannt werden, wenn das Gerät unzerlegt (im ursprünglichen Zustand) dem Lieferanten oder der befugten Kundendienstwerkstatt vorgelegt wird.

Bemerkungen

Lesen Sie aufmerksam die ganze Bedienungsanleitung, bevor Sie mit der Benutzung dieses Produktes beginnen.

Der Hersteller behält sich das Recht vor, Verbesserungen und Änderungen in seinen Erzeugnissen und in den Spezifikationen ohne Voranmeldung vorzunehmen.

Die Spezifikationen können für die verschiedenen Länder unterschiedlich sein.



Table des matières

I - Introduction	20
II - Spécifications techniques	22
III - Instructions de sécurité lors du travail avec outils électroportatifs	22
IV - Règles de sécurité supplémentaires lors du travail avec une perceuse/visseuse d'angle	23
V - Règles supplémentaires concernant le chargeur	23
VI - Règles supplémentaires concernant la batterie	24
VII - Connaître l'outil électroportatif	A/26
VIII - Consignes de travail	27
IX - Entretien	28
X - Garantie	28

DÉBALLAGE

Votre nouvel outil électroportatif a été fabriqué en conformité avec toutes les technologies standard. Il est donc peu probable qu'il soit endommagé ou que l'une de ses parties soit manquante. Si vous remarquez une défaillance, interrompre le travail jusqu'à ce que la pièce défectueuse ne soit changée ou que la panne ne soit réparée. Le non-respect de cette instruction peut entraîner de graves accidents de travail.

ASSEMBLAGE

La perceuse/visseuse sans fil BAR 12E est livrée emballée et entièrement assemblée.

I - Introduction

Votre nouvel outil électroportatif SPARKY ira au-delà de vos attentes. Fabriqué selon des normes de qualité sévères, il répond à toutes les exigences des utilisateurs. Facile à entretenir et d'une sécurité garantie, votre nouvel outil SPARKY vous servira de longues années si vous vous conformez aux règles d'utilisation.

ATTENTION !

Lire attentivement et en entier les instructions d'utilisation avant de mettre en service votre nouvel outil électroportatif SPARKY. Nous attirons tout spécialement votre attention aux textes précédés de « Attention » et « Mise en garde ». Votre outil électroportatif SPARKY possède des atouts qui faciliteront votre travail. Lors de sa conception, le plus grand intérêt a été porté à la sécurité, aux qualités d'exploitation et à la fiabilité à toute épreuve qui en font un outil facile à entretenir et à manier.



Ne pas jeter les appareils électriques dans les ordures ménagères!

Ne pas collecter ensemble les déchets venant des produits électriques et les déchets ménagers. Prière de recycler sur les lieux qui y sont spécialement destinés. Contacter les autorités locales ou un représentant pour des consultations concernant le recyclage.

RESPECT DE L'ENVIRONNEMENT



Récupération des matières premières plutôt qu'élimination des déchets.

En vue à la protection de l'environnement, les appareils, comme d'ailleurs leurs accessoires et emballages, doivent pouvoir suivre chacun une voie de recyclage appropriée. Nos pièces en matières artificielles ont été marquées en vue d'un recyclage sélectif des différents matériaux.





LÉGENDE

L'outil électrique porte une plaque décrivant les signes spéciaux. Ils apportent une information importante quant au produit ou des instructions d'utilisation.



Double isolation pour une meilleure sécurité.




Conforme aux normes de sécurité européennes.



II - Spécifications techniques


BAR 12E

▪ Tension d'alimentation:	12 V 
▪ Vitesse à vide:	0–800 min ⁻¹
▪ Mandrin à serrage rapide:	1.5–10 mm
▪ Capacité de perçage dans :	
- Bois	24 mm
- Acier	10 mm
▪ Couple max:	18 Nm
▪ Réglage du couple:	12 positions
▪ Réglage électronique de la vitesse, réversibilité:	oui
▪ Voyant de rechargement:	oui
▪ Longueur:	350 mm
▪ Poids (avec la batterie):	2 kg

BATTERIE (NiCd)

▪ Tension:	12V
▪ Capacité:	2 Ah

CHARGEUR

A l'entrée:	
▪ Tension/fréquence:	230V~50Hz
▪ Puissance absorbée:	45 W
▪ Tension/courant à la sortie:	12 V  1.8 A
▪ Temps de recharge:	1 h
▪ Niveau de pression acoustique:	L _{pA} = 67.14 dB (A)
▪ Niveau de puissance acoustique:	L _{wA} = 78.14 dB (A)
▪ Valeur corrigée d'accélération:	0.40 m/s ²

III - Instructions de sécurité lors du travail avec outils électroportatifs



ATTENTION: Lire toutes les instructions ! Le non respect des consignes ci-dessous peut entraîner une électrocution, un incendie et/ou un grave accident de travail. On utilisera «outil électroportatif» pour désigner votre outil sans fil (alimenté à batterie).

Conserver ces instructions pour consultation ultérieure!

LIEU DE TRAVAIL

- Entretien du lieu de travail propre et bien éclairé. Le désordre et le manque de lumière sur le

lieu de travail prédisposent à des accidents de travail.

- Ne jamais travailler avec l'outil près de matières explosives, par ex. près de liquides facilement inflammables, de gaz ou de poussière. Les outils électroportatifs dégagent des étincelles qui pourraient enflammer la poussière ou les vapeurs.
- Tenir à l'écart enfants et tiers lors de l'utilisation de l'outil. Toute distraction pourrait entraîner une perte du contrôle de l'outil.

SÉCURITÉ ÉLECTRIQUE

- Pendant l'utilisation de l'outil éviter tout contact corporel avec des éléments mis à terre (tuyauteries, radiateurs, cuisinières électriques, réfrigérateurs etc.). Si votre corps est mis à terre le risque d'électrocution est élevé.
- Ne pas exposer l'outil à la pluie ou à l'humidité. Toute pénétration d'eau augmente le risque d'électrocution.

SÉCURITÉ PERSONNELLE

- Prudence et mesure s'imposent. Travailler toujours avec beaucoup d'attention. Ne pas travailler avec l'outil en cas de fatigue, sous l'influence de stupéfiants, d'alcool ou de médicaments. Un moment d'inattention peut entraîner un grave accident de travail.
- Porter des éléments de protection personnelle. Toujours utiliser des protecteurs oculaires. Les éléments de protection personnelle, comme par ex. le masque anti-poussière, les bottes antidérapantes, le casque de sécurité et les protecteurs auriculaires, utilisés selon les conditions spécifiques, diminuent le risque d'accidents de travail.
- Ne vous tendez pas. Garder une position assurée et en équilibre pendant l'utilisation. Ceci assure un meilleur contrôle de l'outil dans des situations inattendues.
- Porter des vêtements de travail appropriés. Éviter les vêtements flottants ou les bijoux. Garder cheveux, vêtements et gants loin des pièces mobiles. Les vêtements flottants, les bijoux ou les gants peuvent être entraînés par les pièces mobiles.
- Si l'outil électroportatif est pourvu de dispositifs d'aspiration et de stockage de la poussière, s'assurer qu'ils soient correctement raccordés et utilisés. L'utilisation de ces dispositifs diminue les risques liés à la poussière.

UTILISATION ET ENTRETIEN DES OUTILS ÉLECTROPORTATIFS

- S'assurer que l'interrupteur est en position ARRÊT avant de monter la batterie. Monter la batterie dans un outil à interrupteur défectueux peut s'avérer dangereux.
- Charger la batterie uniquement au moyen du chargeur recommandé par le producteur. Charger des batteries autres que celles conçues à être chargées par le chargeur peut provoquer un incendie.
- Utiliser les outils uniquement avec les batteries conçues pour ceux-ci. L'utilisation d'un autre type de batteries peut engendrer un risque d'accident ou d'incendie.
- Si non utilisée tenir la batterie à l'écart de trombones, pièces de monnaie, clés, clous, boulons ou autres objets métalliques de faible calibre qui pourraient court-circuiter ses bornes. Court-circuiter les bornes de la batterie pourrait entraîner des brûlures ou un incendie.
- Une utilisation inappropriée pourrait entraîner un écoulement de liquide de la batterie. Éviter tout contact avec celui-ci. En cas de contact rincer abondamment à l'eau. En cas de contact avec les yeux rincer abondamment et obligatoirement demander l'aide d'un médecin. Le liquide s'écoulant de la batterie pourrait provoquer une inflammation ou des brûlures.
- Éviter toute surcharge de l'outil. Choisir toujours l'outil le plus approprié pour le travail concret. Le choix du bon outil garantira un meilleur rendement et une meilleure sécurité dans le cadre de la puissance à laquelle il a été conçu.
- Ne jamais utiliser l'outil si son interrupteur ne peut être déplacé en position MARCHE ou ARRÊT. Un outil électroportatif à interrupteur défectueux est dangereux et doit être réparé.
- Retirer la batterie de l'outil avant toute manipulation sur celui-ci, échange d'accessoires ou pour procéder à la conservation prolongée de l'outil. Cette mesure préventive diminue le risque d'une mise en marche involontaire.
- Lorsque non utilisés, les outils électroportatifs doivent être conservés loin de la portée des enfants. Éviter que des personnes ne connaissant pas l'outil ou ces instructions s'en servent. Les outils électroportatifs sont dangereux entre les mains d'utilisateurs inexpérimentés.
- Les outils électroportatifs nécessitent des soins. Vérifier que les pièces mobiles soient entières, qu'elles fonctionnent normalement et se déplacent librement. Faire attention à tout ce qui pourrait entraver le bon fonctionnement des outils électriques. L'outil endommagé devra être réparé avant nouvelle utilisation. L'entretien

- négligent est la cause de nombreux accidents.
- Entretien des outils tranchants bien affûtés et propres. Les outils tranchants bien entretenus et ayant des bords bien tranchants sont rarement bloqués et sont mieux manœuvrés.
 - Utiliser l'outil électroportatif, ses accessoires et ses embouts, dans le respect des présentes consignes et selon les règles d'utilisation recommandées pour ce type d'outils, en tenant compte des conditions d'exploitation et du type de travail à effectuer. L'utilisation de l'outil pour une tâche autre que celle pour laquelle il a été conçu pourrait engendrer un danger.

SERVICE APRÈS-VENTE

- Pour assurer une utilisation en toute sécurité, la réparation de l'outil revient à un professionnel qualifié utilisant uniquement des pièces de rechange d'origine.

IV - Règles de sécurité supplémentaires lors du travail avec une perceuse/visseuse d'angle

- Tenir l'outil électroportatif uniquement par les parties isolées lors d'opérations ou le boulon serre est susceptible de toucher des fils électriques caches. Le contact avec un conducteur sous tension mettra aussi sous tension les parties métalliques de l'outil et provoquera l'électrocution de l'opérateur.
- Bien noter que potentiellement votre outil électroportatif est toujours prêt à l'utilisation car il n'est pas nécessaire de le brancher au secteur. Toujours mettre l'interrupteur en position arrêt pour monter ou démonter la batterie.

V - Règles supplémentaires concernant le chargeur

- Avant d'utiliser le chargeur bien lire toutes les instructions et les signes de mise en garde sur le chargeur et la batterie ainsi que les instructions de travail avec la batterie.
- Charger toute batterie uniquement à couvert, le chargeur étant destiné exclusivement à l'utilisation à couvert.



ATTENTION: Si la batterie présente des fissures ou semble endommagée de quelque autre manière que ce soit, ne pas la monter au chargeur. Il existe un risque d'électrocution.



MISE EN GARDE: Eviter tout contact de quelque liquide que ce soit avec le chargeur. Il existe un risque d'électrocution.

- Le chargeur est destiné exclusivement à charger la batterie SPARKY faisant partie du kit original. Toute autre utilisation cache des risques d'incendie ou d'électrocution.
- Le chargeur et la batterie qui l'accompagne sont conçus l'un pour l'autre. Ne pas essayer de charger la batterie avec un autre chargeur que celui qui vous est livré à l'origine.
- Ne placer aucun objet sur le chargeur pour éviter une surchauffe. Ne jamais mettre le chargeur à proximité de quelque source de chaleur que ce soit.
- Ne jamais tirer sur le fil d'alimentation pour débrancher le chargeur du secteur.
- S'assurer que le fil d'alimentation du chargeur ne sera pas écrasé, qu'on ne marchera pas dessus et que personne ne pourra prendre son pied dedans, qu'il ne sera pas endommagé ou exposé à une pression mécanique.
- Éviter l'utilisation de rallonges à moins que ce ne soit vraiment nécessaire. L'utilisation d'une rallonge inappropriée pourrait engendrer un risque d'incendie ou d'électrocution.
- Ne pas utiliser le chargeur si celui-ci a subi un coup violent, une chute ou a été endommagé de quelque manière que ce soit. Ne pas utiliser le chargeur si son fil d'alimentation ou sa fiche sont endommagés – ils devront être immédiatement changés. Confier le chargeur à un service après-vente agréé pour contrôle ou réparation.
- Ne pas désassembler le chargeur. Si une réparation s'impose s'adresser à un service après-vente agréé. Un réassemblage erroné pourrait engendrer un risque d'incendie ou d'électrocution.
- Pour diminuer le risque d'électrocution, débrancher le chargeur du secteur avant nettoyage. Le seul démontage de la batterie ne vous garantit pas contre ce risque.
- Ne jamais essayer de joindre deux chargeurs.
- Votre chargeur est conçu à être alimenté par un réseau électrique standard (220–240V). Ne

pas essayer de brancher le chargeur à un réseau de tension différente.

- Pour charger une deuxième batterie débrancher le chargeur pour 15 minutes au moins et le laisser se refroidir. Vous pourrez ensuite charger la deuxième batterie.
- Dans certaines conditions, lorsque le chargeur est branché au secteur, un objet pourrait court-circuiter les bornes nues du chargeur. Parmi les matériaux conducteurs on citera, sans pour autant dresser une liste exhaustive, la laine d'acier, la feuille d'aluminium ou tout autre matériau à particules métalliques. Ceux-ci devront être tenus à l'écart des cavités du chargeur. Débrancher toujours le chargeur du secteur quand aucune batterie ne s'y trouve ou avant de le nettoyer.
- Ne pas congeler ou immerger le chargeur dans de l'eau ou dans tout autre liquide.

VI - Règles supplémentaires concernant la batterie

- La batterie de votre outil électroportatif est livrée incomplètement chargée. Elle devra être chargée complètement avant la mise en exploitation de votre nouvel outil.
- Ne pas charger l'outil dans un milieu humide.
- La durée de vie et les qualités d'exploitation seront optimales si la batterie est chargée à une température ambiante de 65°F–75°F (18°C–24°C). Ne pas charger la batterie à une température ambiante de moins de +40°F (+4.5°C) ou au-dessus de +105°F (+40.5°C). Ceci est d'une importance majeure et évitera que la batterie soit sérieusement endommagée.
- Lors du chargement, chargeur et batterie pourraient être chauds au toucher. Ceci est normal et n'indique pas la présence d'un problème.
- Pour éviter toute surchauffe ne pas charger la batterie sous des rayons de soleil directs dans un temps chaud ou à proximité de sources de chaleur.
- Ne pas charger la batterie dans une cabine ou dans un réservoir. Lors du chargement la batterie est à placer dans un endroit bien ventilé.
- Rarement, lors d'un régime de travail intensif, il est possible d'observer un écoulement insignifiant de liquide de la batterie. Ceci n'indique pas une panne. Cependant si le joint extérieur est endommagé et que du liquide entre en contact avec votre peau:
 - Rincer abondamment au savon et à l'eau.

- Neutraliser l'endroit avec un acide faible comme le jus de citron ou le vinaigre.
- En cas de contact du liquide de la batterie avec les yeux, rincer abondamment à l'eau au moins 10 minutes et demander immédiatement l'aide d'un médecin. (Note : Le liquide est une solution d'hydroxyde de potassium de 25-35%.)
- Si l'on observe un chargement anormal de la batterie :
 - (1) Vérifier la présence de tension dans le secteur avec une lampe ou un phasemètre.
 - (2) Déplacer le chargeur avec la batterie dans un endroit où la température ambiante est à peu près 65°F–75°F (18°C–24°C).
 - (3) Si malgré cela les problèmes de chargement persistent, confier ou envoyer l'outil avec la batterie et le chargeur à un service après-vente agréé.
- La batterie est à charger quand elle cesse de livrer la puissance nécessaire pour des opérations qui d'habitude sont effectuées sans effort. Dans ce cas ARRÊTER LE TRAVAIL et commencer le chargement. A tout temps on peut recharger la batterie partiellement épuisée sans que cela l'endommage.
- Ne pas mettre au feu des batteries même si elles sont endommagées gravement ou ne peuvent plus être rechargées. Les batteries pourraient exploser dans le feu.
- Pour faciliter le refroidissement de la batterie après exploitation, éviter d'utiliser par un temps chaud le chargeur ou la batterie sous un abri ou dans une caravane sans isolation thermique.



ATTENTION: Ne jamais essayer d'ouvrir la batterie pour quelque raison que ce soit. Si le corps en plastique se fend ou fissure, déposer la batterie dans un service après-vente agréé pour recyclage.

LIRE TOUTES LES INSTRUCTIONS DANS LA PARTIE CONSACRÉE AU CHARGEUR AVANT DE COMMENCER À CHARGER LA BATTERIE DE VOTRE OUTIL ÉLECTROPORTATIF.

- Toujours utiliser une batterie SPARKY appropriée (celle livrée à l'origine avec l'outil ou une batterie de rechange identique). Ne jamais utiliser une autre batterie. Ceci endommagera l'outil et pourrait être à l'origine d'une situation dangereuse.
- Charger les batteries uniquement avec des chargeurs SPARKY.
- La batterie est composée de cellules de nic-

kel-cadmium. Le cadmium est considéré être un élément toxique. Ne jamais jeter les batteries avec les ordures ménagères. Elles sont à conserver à part et à déposer pour recyclage en conformité avec les dispositions légales concernant le respect de l'environnement.

MONTER ET DÉMONTER LA BATTERIE

Pour démonter la batterie:

Appuyer les languettes de fixage pour libérer la batterie et la retirer.

Pour monter la batterie:

Remettre la batterie dans l'outil jusqu'à l'obtention d'un clic caractéristique. (Fig. 1)

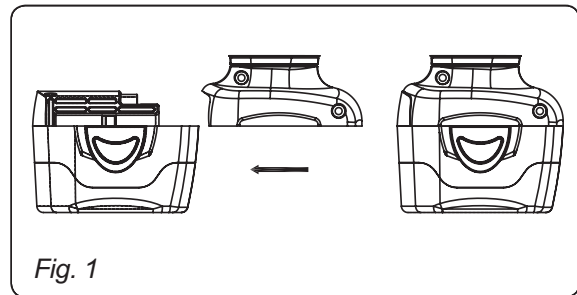


Fig. 1

SE SERVIR DU CHARGEUR

Avant la mise en exploitation initiale de la perceuse/visseuse d'angle, la batterie devra être chargée complètement. Si la batterie est montée dans l'outil, la retirer en suivant les instructions dans la partie «Monter/Démonter des batteries».

Quand la batterie se décharge, on aperçoit une diminution brusque du rendement de l'outil. Si votre outil n'est plus à la hauteur de la tâche en cours, la batterie est à recharger; sinon la durée de vie de la batterie diminuera. Une décharge prolongée pourrait endommager la batterie.

NOTE: Lors de l'exploitation et tout de suite après la température de la batterie aura augmenté. Si la batterie est rechargée tout de suite après exploitation elle peut ne pas se recharger complètement. Pour un meilleur résultat, attendre que la batterie refroidisse jusqu'à la température ambiante avant de la recharger.



ATTENTION: Poser le chargeur sur ses quatre pieds. Les ouïes de ventilation en haut et en bas du chargeur doivent être dégagées. Ne pas charger la batterie à une température ambiante de moins de +40°F (+4.4°C) ou au-dessus de +104°F (+40°C).

Si le fil d'alimentation du chargeur est endommagé il devra être remplacé par le producteur, par un service après-vente agréé ou par un spécialiste qualifié, pour éviter tout risque de remplacement erroné.

S'assurer que la batterie n'est pas dans le chargeur avant que celui-ci ne soit mis au rebut et remettez-les pour recyclage.

Avant de démonter la batterie du chargeur débrancher celui-ci du secteur.

RECHARGER DES BATTERIES

S'assurer que la tension dans le secteur correspond à celle du panneau à données techniques du chargeur. Brancher le chargeur au secteur. Un voyant orange devrait s'allumer (A) Fig.2. Ceci indique que le chargeur est prêt à fonctionner.

Monter la batterie dans le chargeur, aligner les glissières du chargeur (Fig. 2D) avec les quatre languettes de fixation (Fig. 3E) de la batterie. Glisser la batterie en avant dans le chargeur jusqu'à son arrêt.

Le voyant rouge (Fig. 2B) devrait s'allumer signifiant un régime de « recharge rapide ». Dans environ une heure le voyant rouge de « recharge rapide » devra s'éteindre en indiquant que la batterie est complètement chargée et que le chargeur passe en régime de maintenance «recharge lent» (voyant vert). La batterie pourrait rester dans ce régime jusqu'à nouvelle utilisation.



ATTENTION: Lorsque la batterie est montée dans le chargeur et le voyant orange se met à clignoter (Fig. 2A), le voyant vert (Fig. 2C) restant allumé en continu, ceci indique une batterie trop chaude ou trop déchargée. Laisser la batterie dans le chargeur, le chargement commencera automatiquement quand la température de la batterie retombe entre 32°F (0°C) et 100°F (37.7°C) ou quand sa tension atteint le niveau normal. A ce moment le voyant rouge s'allumera en continu et le voyant vert s'éteindra.

En fonction de la température ambiante, le niveau de chargement et la tension de phase, le chargement initial de la batterie pourrait prendre plus d'une heure.

Si non utilisé, toujours débrancher le chargeur du secteur.

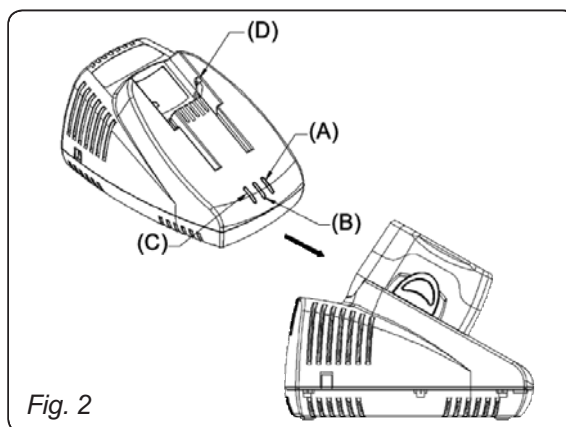


Fig. 2

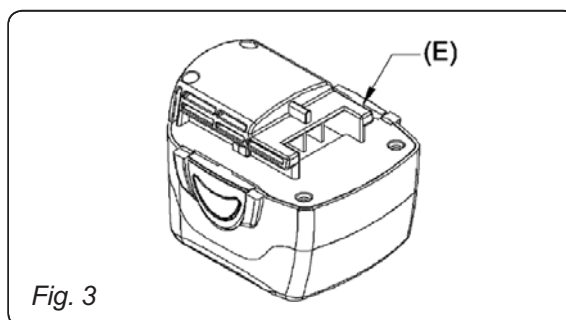


Fig. 3

INFORMATION IMPORTANTE POUR LE RECHARGEMENT DE BATTERIES CHAUDES

Une exploitation prolongée de l'outil chauffera la batterie. La laisser se refroidir pour environ 30 minutes avant d'essayer de la recharger. Quand la batterie est déchargée et chaude le voyant rouge du chargeur se mettra à clignoter. Quand la batterie se refroidit le voyant rouge restera allumé en continu indiquant un régime de « recharge rapide » d'une longueur de 1 heure.

NOTE: Ceci est observé uniquement après une exploitation prolongée et quand la batterie est chauffée et non dans des conditions normales.

VII - Connaître l'outil électroportatif

1. Interrupteur
2. Inverseur du sens de rotation (levier basculant)
3. Mandrin à serrage rapide
4. Bague de réglage du couple
5. Batterie rechargeable
6. Chargeur
7. Voyant de recharge
8. Bouton de fixation du foret

VIII - Consignes de travail

ACTIVER L'INTERRUPTEUR

1. Pour mettre en marche l'outil appuyer sur l'interrupteur. Pour l'arrêter relâcher l'interrupteur. (Fig. 4)
2. La vitesse de rotation est fonction de la pression sur l'interrupteur. Une légère pression de l'interrupteur produit une rotation à faible vitesse qui augmente régulièrement jusqu'à la maximale en appuyant sur l'interrupteur à fond.

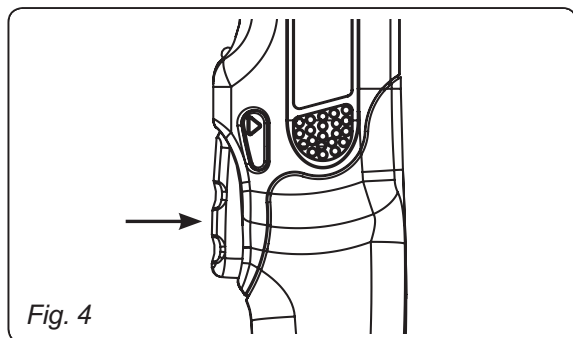


Fig. 4

METTRE EN PLACE ET RETIRER LE FORET OU L'EMBOUT

ATTENTION: Arrêter toujours l'outil avant toute manipulation sur celui-ci. Pour éviter la mise en marche involontaire de l'outil il est recommandé de retirer la batterie.

1. Pour bloquer le foret appuyer sur le bouton (8).
2. Tourner le collier du mandrin (3) dans le sens contraire des aiguilles d'une montre, jusqu'à ce que les mors du mandrin s'ouvrent et laissent entrer librement le foret ou l'embout.
3. Pour serrer le mandrin, tourner son collier dans le sens des aiguilles d'une montre.
4. S'assurer que le foret ou l'embout sont bien fixés.
5. Relâcher le bouton (8).

Pour retirer le foret ou l'embout, tout en appuyant sur le bouton (8) tourner le mandrin dans le sens contraire des aiguilles d'une montre.

ATTENTION: Il est interdit d'appuyer sur le bouton (8) lorsque le foret tourne. Ceci pourrait entraîner une panne et la résiliation du contrat de garantie du fabricant.

VISSER / DÉVISSER DES VIS

Placer un embout correspondant à la vis à traiter, fixer la/les lame(s) de l'embout dans l'empreinte de la tête de la vis et visser.

Exercer sur l'outil la pression longitudinale nécessaire à maintenir la tête de la vis.

ATTENTION! Un serrage excessif pourrait provoquer une rupture de la vis ou l'endommagement de l'embout.

1. Serrer trop longtemps cache le risque de rompre la tête de la vis.
2. Si le tournevis à frapper n'est pas tenu horizontalement par rapport à la vis traitée, la tête de la vis peut être endommagée et le moment de rotation ne sera pas entièrement transmis à la vis.

INVERSEUR DU SENS DE ROTATION

Appuyer sur le côté droit de l'inverseur (regardant de l'arrière), pour faire tourner l'embout dans le sens des aiguilles d'une montre. Appuyer sur le côté gauche de l'inverseur pour faire tourner l'embout dans le sens inverse des aiguilles d'une montre. (Fig. 5)

ATTENTION: L'inverseur ne peut être appuyé à électromoteur tournant. Pour inverser la direction de rotation, arrêter l'outil et ensuite inverser la direction de rotation.

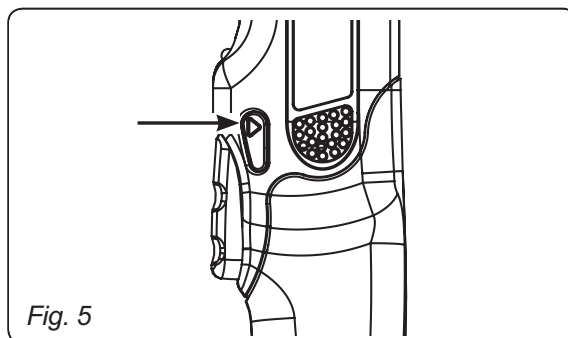
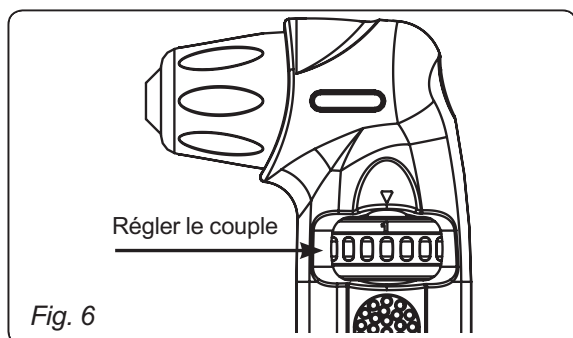


Fig. 5

RÉGLER LE COUPLE

Le moment de rotation peut être réglé sur chacune des 12 positions en tournant la molette derrière le mandrin. (Fig. 6)

L'éventail de 12 positions assure un meilleur contrôle lors du vissage en permettant d'éviter un vissage excessif.



IX - Entretien

NETTOYAGE

- Le moteur électrique en marche, chasser les saletés et la poussière de toutes les ouïes de ventilation avec de l'air sec comprimé au moins une fois par semaine. Le port de protection oculaire lors de cette opération est obligatoire.
- Les parties extérieures en plastique peuvent être nettoyées avec un chiffon humide et un détergent à action faible.



ATTENTION: Bien que les parties extérieures en plastique soient résistantes aux solvants il est **INTERDIT** d'utiliser des solvants pour les nettoyer !

Instructions pour le nettoyage du chargeur:

- Les parties extérieures graisseuses et sales du chargeur sont à nettoyer avec un chiffon ou une brosse métallique souple. Ne pas utiliser de l'eau ou des solutions détersives.



MISE EN GARDE: Avant de le nettoyer, débrancher le chargeur du secteur.



IMPORTANT: Pour assurer la sécurité de travail avec l'outil ainsi que sa fiabilité, toute réparation, entretien ou réglage (y compris le contrôle et l'échange des balais) revient aux services après-vente agréés ou à un autre service compétent utilisant uniquement des pièces de rechange d'origine..

ACCESSOIRES À UTILISER AVEC CET OUTIL ÉLECTROPORTATIF

Les accessoires recommandés pour votre outil électroportatif sont commercialisés dans votre service après-vente local SPARKY.

X - Garantie

La période de garantie des outils électroportatifs SPARKY est définie dans le contrat de garantie.

La garantie ne couvre pas les pannes apparues suite à l'usure naturelle, une surcharge ou une mauvaise exploitation.

Les pannes survenues pour cause de matériaux défectifs et/ou d'erreurs de fabrication seront réparées gratuitement ou le produit sera échangé.

Les réclamations pour un instrument SPARKY défectueux seront honorées si la machine est retournée au livreur ou est présentée à un service après-vente agréé assemblé et dans son état original (assemblée).

Notes

Merci de lire attentivement le manuel d'exploitation avant de vous servir de ce produit.

Le fabricant ne se défait pas du droit d'introduire des améliorations et des changements dans ses produits ainsi que de changer les spécifications sans avis préalable.

Les spécifications peuvent différer selon les pays.



Содержание

I - Введение	29
II - Технические данные	31
III - Инструкции безопасности при работе электроинструментов	31
IV - Дополнительные правила безопасности при работе дрели	32
V - Дополнительные правила пользования зарядным устройством	33
VI - Дополнительные правила пользования батареей	34
VII - Знакомство с электроинструментом	A/36
VIII - Указания по работе	36
IX - Обслуживание	37
X - Гарантия	38

РАСПАКОВКА

В соответствие с общепринятой технологией производства, мало вероятно, что Ваш новый электроинструмент находится в неисправности, или не хватает какой-либо его части. Все же, если Вы заметите несоответствия, не начинайте работать с электроинструментом до тех пор, пока его поврежденная часть не будет заменена, а дефект – устранен. Невыполнение данной рекомендации может привести к производственным травмам.

СБОРКА

Аккумуляторная угловая дрель BAR 12E поставляется в упакованном и полностью собранном виде.

I - Введение

Приобретенный Вами электроинструмент SPARKY превзойдет Ваши ожидания. Инструмент изготовлен в соответствие со строгими стандартами качества SPARKY, отвечающими высоким требованиям потребителей. Простой в обслуживании и безопасный в эксплуатации, при правильном употреблении этот электроинструмент будет служить Вам долгие годы.

ВНИМАНИЕ!

Внимательно прочтите инструкцию по эксплуатации перед тем, как приступить к использованию электроинструмента SPARKY. Специальное внимание обратите на тексты, начинающиеся словом «Внимание» и «Предупреждение». Ваша электроинструмент SPARKY обладает многими качествами, которые упростят Вашу работу. При ее разработке наибольшее внимание обращено на безопасность, эксплуатационные качества и надежность, что упрощает поддержку и эксплуатацию инструмента.



Не выкидывайте электрических изделий вместе с обычным мусором!

Отходы от электрических изделий не следует собирать вместе с бытовыми отходами. Пожалуйста, рециклируйте в предназначенных для этого местах. Свяжитесь с местными властями или представителем для консультации касательно рециклирования.

ОХРАНА ОКРУЖАЮЩЕЙ СРЕДЫ



С учетом охраны окружающей среды электроинструмент, принадлежности и упаковка должны подвергнуться подходящей переработке для повторного использования содержащегося в них сырья. Для облегчения рециклирования деталей, произведенных из искусственных материалов, они обозначены соответствующим образом.



ОПИСАНИЕ СИМВОЛОВ

На табличке с данными электродрели нанесены специальные символы. Они представляют собой важную информацию об использовании инструмента и его характеристиках.



Двойная изоляция в целях дополнительной защиты.



Соответствие европейским стандартам безопасности.

II - Технические данные

BAR 12E

- Напряжение: 12 V \equiv
- Скорость вращения на холостом ходу: 0–800 min⁻¹
- Быстрозажимный патрон: 1,5–10 mm
- Максимальный диаметр сверла для:
 - дерева 24 mm
 - стали 10 mm
- Максимальный крутящий момент: 18 Nm
- Регулировка крутящего момента: 12 положений
- Электронная регулировка оборотов, левый - правый ход да
- Светодиодная индикация: да
- Габаритная длина: 350 mm
- Вес (с батареей): 2 kg

БАТАРЕЯ (Ni-Cd)

- Напряжение: 12V
- Емкость: 2 Ah

ЗАРЯДНОЕ УСТРОЙСТВО

- Вход:
- Напряжение/частота: 230V~50Hz
- Потребляемая мощность: 45 W
- Исходное напряжение / электр. ток: 12 V \equiv 1.8 A
- Время зарядки: 1 h
- Уровень звукового давления: L_{pA} = 67,14 dB (A)
- Уровень звуковой мощности: L_{wA} = 78,14 dB (A)
- Корректированный размер ускорения: 0,40 m/s²

III - Инструкции по безопасности при работе электроинструментов



ВНИМАНИЕ: Ознакомьтесь со всеми инструкциями! Несоблюдение перечисленных ниже указаний может привести к поражению электрическим током, пожару и/или др. опасному инциденту. Упомянутый далее термин “электроинструмент” относится к Вашему питаемому батареей (аккумуляторному) электроинструменту.

Храните эти инструкции!

РАБОЧЕЕ МЕСТО

- Содержите рабочее место в чистоте, хорошо освещенным. Беспорядок и недостаточное освещение рабочего места являются предпосылками трудовых инцидентов.
- Не используйте электроинструменты во взрывоопасной среде, например в присутствии воспламеняющихся жидкостей, газов или пыли. Электроинструменты создают искры, которые могут воспламенить пары и пыль.
- Не подпускайте на близкое расстояние детей и посторонних лиц во время работы с электроинструментом. В результате рассеивания возможна потеря контроля с Вашей стороны.

ЭЛЕКТРИЧЕСКАЯ БЕЗОПАСНОСТЬ

- Избегайте соприкосновение Вашего тела с заземленными поверхностями водопроводных труб, радиаторов, кухонных плит и холодильников, т.к. в этом случае повышается риск поражения электрическим током.
- Не подвергайте электроинструмент воздействию дождя и влаги. Проникновение в электроинструмент воды повышает опасность поражения электрическим током.

ЛИЧНАЯ БЕЗОПАСНОСТЬ

- При работе электроинструмента сохраняйте повышенное внимание и поступайте обдуманно. Не используйте электроинструмент, если Вы устали, или находитесь под влиянием наркотиков, алкоголя или медикаментов. Моментное невнимание при работе с электроинструментом может привести к серьезной производственной травме.
- Пользуйтесь индивидуальными средствами защиты. Всегда носите защитные очки. Индивидуальные средства защиты, такие как, например, маска против пыли, нескользкая обувь, защитный шлем или антифоны, используемые в зависимости от конкретной ситуации, снижают опасность возникновения производственной травмы.
- Не протягивайтесь, сохраняйте правильное положение тела в течение работы. Это улучшает манипулирование электроинструментом в непредвиденных ситуациях.
- Используйте подходящую рабочую одежду. Не надевайте широкую одежду или украшения. Держите свои волосы, одежду и перчатки на достаточном расстоянии от вращающихся частей. Широкая одежда,

украшения или длинные волосы могут попасть в движущиеся части.

- Если электроинструмент снабжен приспособлением для пыли, обеспечьте правильную сборку и использование. Применение таких приспособлений понижает связанные с пылью риски

ЭКСПЛУАТАЦИЯ И УХОД ЗА ЭЛЕКТРОИНСТРУМЕНТАМИ

- Убедитесь, что выключатель находится в положении «выключен» перед тем, как вставить аккумуляторную батарею. Установка аккумуляторной батареи во включенном положении выключателя является предпосылкой возникновения инцидента.
- Заряжайте аккумуляторные батареи только используя зарядное устройство, рекомендованное производителем. Зарядные устройства, используемые для различных видов аккумуляторных батарей, могут вызвать пожар, если используются с неподходящей для них аккумуляторной батареей.
- Используйте инструменты только с предусмотренными для них аккумуляторными батареями. Употребление других видов батарей может привести к производственному инциденту и пожару.
- В периоды, когда Вы не используете аккумуляторную батарею, храните ее вдали от металлических предметов, таких как скрепки, монеты, ключи, гвозди, винты и т.д., которые могут вызвать короткое замыкание батареи. Короткое замыкание проводников батареи может привести к ожогам или пожару.
- При неправильном употреблении, из батареи может вытекать жидкость. Избегайте контакта с этой жидкостью, а если это все-таки произойдет, обильно промойте загрязненное место водой. В случае попадания аккумуляторной жидкости в глаза, обратитесь к врачу, т.к. эта жидкость может вызвать воспаления и ожоги.
- Не перегружайте электроинструмент. Пользуйтесь подходящим электроинструментом при выполнении конкретной работы. Правильно подобранный электроинструмент работает лучше и безопасней в диапазоне проектной мощности.
- Не используйте электроинструмент, если его выключатель не работает. Электроинструмент, которым нельзя управлять с помощью переключателя, опасен и подлежит ремонту.
- Выньте батарею перед тем, как выполнять

какие-либо настройки, замену принадлежностей или хранение электроинструмента. Такие меры безопасности снижают риск невольного пуска.

- Во время перерывов в работе электроинструментов храните их в недоступном для детей месте и не позволяйте лицам, которые не знакомы с электроинструментом или настоящей инструкцией, работать с электроинструментом. Электроинструменты опасны в руках необученных потребителей.
- Поддерживайте уход за электроинструментами. Проверяйте, функционируют ли его движущиеся части нормально и свободно, контролируйте их исправность частей, а также все иные обстоятельства, которые могли бы неблагоприятно повлиять на работу электроинструмента. В случае поломки электроинструмент необходимо отремонтировать перед дальнейшим использованием. Плохое обслуживание является причиной значительного числа инцидентов.
- Поддерживайте режущие инструменты острыми и чистыми. Правильно поддерживаемые и острые режущие инструменты редко блокируют и легче управляются.
- Используйте электроинструмент, его принадлежности и рабочие инструменты в соответствии с настоящими инструкциями и методом, предусмотренным для конкретного типа электроинструмента, исходя из условий эксплуатации и характера выполняемой работы. Использование электроинструмента не по назначению может привести к опасной ситуации.

СЕРВИЗНОЕ ОБСЛУЖИВАНИЕ

- Ремонт инструмента выполняется только квалифицированным специалистом, с использованием оригинальных запасных частей. Таким образом обеспечивается безопасная работа электроинструмента

IV - Дополнительные меры безопасности для угловых дрелей / шуруповертов

- Держите электроинструмент за изолированные поверхности при исполнении операций, во время которых закручиваемый болт может достичь скрытой от глаз электропроводки. Прикосновение к элек-

тропроводке под напряжением, через металлические части электроинструмента приведет к удару током оператора.

- Необходимо помнить, что данный электроинструмент всегда находится в рабочем состоянии, т.к. нет необходимости включать его в сеть. При установке или удалении батареи, всегда устанавливайте выключатель в положение "Выключено".

V - Дополнительные правила работы зарядного устройства

- Перед тем, как приступить к использованию зарядного устройства, прочтите все инструкции и предупреждения, обозначенные на корпусе устройства и батареи, а также инструкции работы батареи.
- Заряжайте батареи только в закрытых помещениях, т. к. зарядное устройство не предназначено для работы вне помещений.



ВНИМАНИЕ: Если батарея треснула, или повреждена другим способом, не вставляйте ее в зарядное устройство. Существует опасность удара электрического тока.



ПРЕДУПРЕЖДЕНИЕ: Не допускается попадание любого вида жидкостей в зарядное устройство, т.к. это может привести к удару электрическим током.

- Зарядное устройство предназначено для работы единственно на батарее SPARKY, входящей в комплект поставки. Невыполнение этого условия может привести к опасности возникновения пожара или удара электрического тока.
- Зарядное устройство и входящая в комплект поставки батарея предназначены для совместной работы. Не допустимо заряжать батарею другим зарядным устройством кроме входящего в комплект поставки.
- Не ставьте на зарядное устройство какие-либо предметы, т. к. это может привести к перегреву. Не оставляйте устройство вблизи любых источников тепла.
- Не дергайте шнур зарядного устройства,

чтобы отключить его от электросети.

- Убедитесь, что шнур зарядного устройства расположен таким образом, чтобы его нельзя было повредить, спотыкаться в него, или подвергать его механическим нагрузкам.
- Не используйте удлинители, кроме случаев, когда это крайне необходимо. Употребление неподходящего удлинителя может вызвать пожар или удар электрическим током.
- Не пользуйтесь зарядным устройством, если оно было подвержено сильному удару, выронено или повреждено другим способом. Не используйте зарядное устройство, если его шнур или штепсель повреждены: их необходимо немедленно заменить. В этом случае воспользуйтесь услугами специализированного сервиса для проведения осмотра или ремонта.
- Не разбирайте зарядное устройство. В случае необходимости в ремонте, обратитесь в специализированный сервис. Неправильная повторная сборка может вызвать пожар или удар электрическим током.
- В целях предотвращения опасности удара электрическим током, отключите зарядное устройство от сети перед проведением его чистки. Удаление только батареи не снижает эту опасность.
- Никогда не пытайтесь соединить два зарядных устройства.
- Данное устройство предусмотрено для стандартной электросети (220–240 V). Не пытайтесь подключить зарядное устройство в электросеть с другим напряжением.
- Если возникла необходимость зарядить вторую батарею, отключите зарядное устройство от сети электропитания, и оставьте его охладиться в течение минимум 15 минут. По истечению этого периода можно заряжать следующую батарею.
- При определенных условиях, если зарядное устройство включено в электрическую сеть, любой чужой предмет может вызвать короткое замыкание в открытых контактах устройства. Недопустимо попадание в полости зарядного устройства проводящих материалов, которыми являются, но не только: стальная вата, алюминиевая фольга, или любой другой материал, содержащий металлические частицы. Всегда, когда зарядное устройство свободно от батареи, отключайте его от электросети. Отключайте зарядное устройство перед тем, как провести его чистку.
- Не замораживайте и не погружайте заряд-

ное устройство в воду или другую жидкость

VI - Дополнительные правила работы батареи

- Батарея электроинструмента в момент поставки заряжена не до конца. Ее необходимо полностью зарядить перед началом работы.
- Не заряжайте электроинструмент во влажной или мокрой среде.
- Максимальная долговечность и эксплуатационные качества достигаются при условии, если батарея заряжается при комнатной температуре 65°F–75°F (18°C–24°C). Не заряжайте батарею при комнатной температуре ниже +40°F (+4.5°C) или выше +105°F (+40.5°C). Это условие имеет большое значение, и является предпосылкой предотвращения серьезных повреждений батареи.
- Во время подзарядки батареи, температура батареи и зарядного устройства немного повышается, что является нормальным, и не говорит о наличии проблемы.
- Во избежание перегрева, не проводите подзарядку батарей под прямыми солнечными лучами, в жаркую погоду или вблизи тепловых источников.
- Не проводите подзарядку батареи в кабине или резервуаре. Батарея должна подзарядиться в хорошо проветриваемом помещении.
- В редких случаях тяжелого эксплуатационного режима возможно незначительное протекание батареи. Это не говорит о неисправности. Все же, если нарушено внешнее уплотнение, и жидкость попала на Вашу кожу:
 - Быстро смойте ее водой с мылом.
 - Нейтрализуйте это место слабой кислотой, такой как лимонный сок или уксус.
 - Если жидкость батареи попала в глаза, немедленно промойте их чистой водой в течение мин.10 минут, и сразу же обратитесь за медицинской помощью. (Примечание: жидкость представляет собой 25-35% раствор гидроокиси калия.)
- Если батарея не заряжается нормально:
 - (1) Проверьте наличие напряжения в контакте, включив лампу, или с помощью фазометра.
 - (2) Перенесите зарядное устройство и ба-

тарею в место, где температура окружающей среды приблизительно 65°F–75°F (18°C–24°C).

(3) Если проблемы продолжают, отнесите или отошлите электроинструмент с батареей и зарядным устройством в местный сервис.

- Батарею необходимо заряжать тогда, когда она перестает производить достаточную мощность при операциях, которые до тех пор производились с легкостью. В этом случае **ОСТАНОВИТЕ РАБОТУ**, и начните процедуру подзарядки. Частичная подзарядка израсходованной батареи может проводиться в любое время.
- Не сжигайте батареи даже в случаях серьезных повреждений или после того, как они уже не могут заряжаться. Батареи могут взорваться под воздействием огня.
- Для того, чтобы ускорить охлаждение батареи после употребления, в жаркую погоду избегайте использовать зарядное устройство или батарею под металлическим навесом или в машине без тепловой изоляции.



ВНИМАНИЕ: Никогда не предпринимайте попытки открыть батарею по каким либо причинам. Если пластмассовый корпус батареи сломан или треснул, предайте батарею в сервис для восстановления.

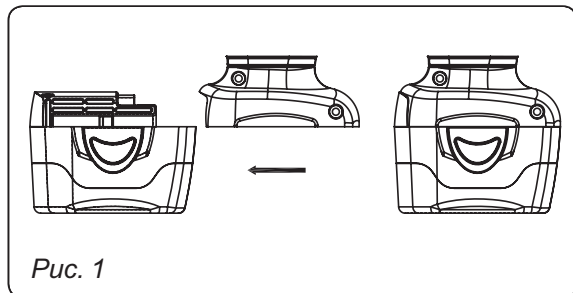
ПЕРЕД ДА НАЧАЛОМ ПОДЗАРЯДКИ БАТАРЕИ ВАШЕГО ЭЛЕКТРОИНСТРУМЕНТА ПРОЧИТАЙТЕ ВСЕ ИНСТРУКЦИИ В РАЗДЕЛЕ ЗАРЯДНОГО УСТРОЙСТВА.

- Всегда используйте подходящую батарею SPARKY (поставленную в комплекте с электроинструментом, или запасную батарею). Никогда не используйте какие-либо другие батареи. Это приведет к поломке электроинструмента, и может вызвать опасную ситуацию.
- Заряжайте батарею только с помощью зарядных устройств SPARKY.
- Батарея состоит из никель-кадмиевых элементов. Кадмий считается ядовитым веществом. Не выбрасывайте батареи вместе с бытовыми отходами. Батареи необходимо передавать на утилизацию отдельно, в соответствии с требованиями по охране окружающей среды.

КАК ВЫНИМАТЬ И ВСТАВЛЯТЬ БАТАРЕИ

Для того, чтобы вынуть батарею: нажмите фиксаторы для освобождения и выньте батарею.

Для того, чтобы вставить батарею: вставляйте батарею в электроинструмент до тех пор, пока не услышите характерный щелчок. (Рис. 1)



УКАЗАНИЯ ПО ПОДЗАРЯДКЕ БАТАРЕИ

Перед первоначальным пуском аккумуляторной дрели/шуруповерта, необходимо полностью зарядить батарею. Если батарея вставлена в машину, необходимо ее вынуть, следуя инструкциям раздела “Как вставить и вынуть батарею”.

Когда батарея истощается, резко падает производительность. Если электроинструмент не может исполнять необходимую работу, следует перезарядить батарею, в противном случае снизится ее срок жизни. Дальнейшая разрядка батареи может привести к ее повреждению.

ЗАМЕЧАНИЕ: Во время и после работы температура батареи повышается. Если батарея будет заряжена сразу же после употребления, это может привести к ее неполной подзарядке. Батарея должна остыть до комнатной температуры, после чего можно проводить ее перезарядку.



ВНИМАНИЕ: Зарядное устройство необходимо ставить на четыре тампона, расположенных на его дне. Вентиляционные отверстия, расположенные с верхней и нижней стороны зарядного устройства, должны быть открыты. Не приступайте к подзарядке батареи, если ее температура ниже 40°F (4.4°C) или выше 104°F (40°C).

В случае повреждения кабеля питания зарядного устройства, его замена производится производителем, или в специализированном

сервисе, или же специалистом необходимой квалификации, во избежание возможных рисков.

Проверьте, вынута ли батарея из зарядного устройства перед его утилизацией, после чего сдайте их в утиль.

Перед тем, как вынуть батарею, необходимо отключить устройство от электросети.

КАК ЗАРЯЖАТЬ БАТАРЕЮ

Убедитесь, что напряжение электросети соответствует техническим данным, обозначенным на корпусе зарядного устройства. Подключите устройство в электросеть. Горящий оранжевый свет (A) (Рис. 2). показывает, что устройство готово к работе.

Поставьте батарею поверх устройства, выровняйте полозья (Рис. 2D) устройства с четырьмя фиксаторами (Рис. 3E) батареи. Вставьте батарею в зарядное устройство до упора.

Постоянно горящий красный индикатор (Рис. 2B) означает режим “быстрой подзарядки”. Приблизительно через один час красный индикатор “быстрой подзарядки” должен погаснуть, что говорит о полной зарядке батареи; устройство работает в поддерживающем режиме “медленная зарядка” (зеленый свет). Батарея может оставаться в этом режиме до тех пор, пока не понадобится вновь.



ВНИМАНИЕ: Если при установлении батареи в зарядное устройство начнет мигать оранжевый свет (Рис. 2A), а зеленый свет (Рис. 2C) светит постоянно, это говорит о том, что или у батареи слишком высокая температура, или слишком низкое напряжение. В этом случае оставьте батарею в устройстве: процесс зарядки батареи начнется автоматически после того, как температура батареи достигнет 32°F (0°C) и 100°F (37.7°C) или после нормализации напряжения. После этого светлина зажжется красный свет, а зеленый погаснет.

В зависимости от комнатной температуры, напряжения в сети и мощности батареи, на ее первоначальную подзарядку может уйти более часа.

Отключайте зарядное устройство от электросети в тех случаях, когда оно не используется.

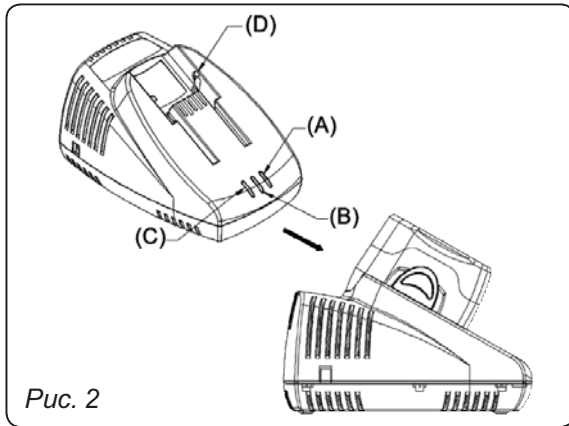


Рис. 2

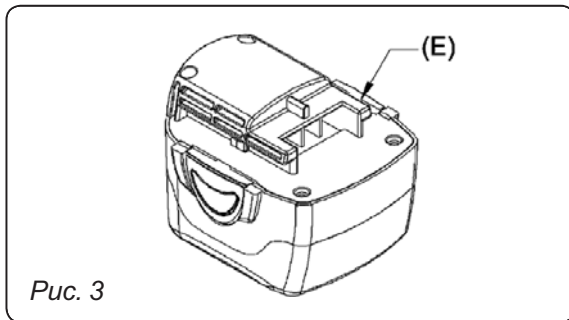


Рис. 3

ВАЖНАЯ ИНФОРМАЦИЯ ОТНОСИТЕЛЬНО ПОДЗАРЯДКИ НЕОСТЫВШИХ БАТАРЕЙ

При продолжительной работе электроинструмента его батарея нагревается. Оставьте горячую батарею приблизительно на 30 минут, после чего приступайте к подзарядке. Если горячая на ощупь батарея «села» - начнет мигать красный свет зарядного устройства. Постоянный красный свет сигнализирует о работе в режиме быстрой подзарядки (1 час).

ЗАМЕЧАНИЕ: Батарея нагревается только при продолжительной работе электроинструмента. В нормальных условиях эксплуатации данное явление не наблюдается.

VII - Знакомство с электроинструментом

1. Выключатель
2. Рычаг изменения направления вращения
3. Быстрозажимный патрон
4. Кольцо регулировки момента
5. Аккумуляторная батарея
6. Зарядное устройство
7. Светодиодный индикатор
8. Кнопка для фиксирования шпинделя

VIII - Указания по работе

ВЫКЛЮЧАТЕЛЬ

1. Чтобы включить электроинструмент, необходимо нажать на выключатель. Чтобы выключить электроинструмент, необходимо освободить выключатель. (Рис. 4)
2. Скорость вращения регулируется степенью нажима на выключатель. Легкое нажатие выключателя приводит к работе на низких оборотах, которые плавно увеличиваются до максимальных путем увеличения нажима на выключатель, до крайнего положения.

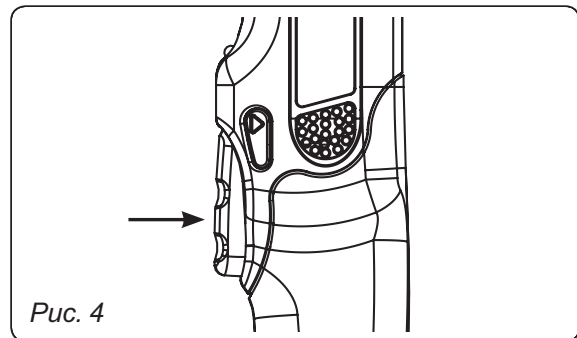


Рис. 4

ВСТАВЛЕНИЕ И СНЯТИЕ СВЕРЛА И НАКОНЕЧНИКА



ВНИМАНИЕ: Выключайте электроинструмент перед какой-либо работой над ним. Во избежание непредусмотренное включение машины, рекомендуется вынуть батарею.

1. Чтобы застопорить шпиндель, нажмите кнопку (8).
2. Поверните корону патрона (3) в направлении, противоположное часовой стрелке, пока его челюсти не раскроются достаточно, чтобы вставить сверло либо наконечник.
3. Чтобы затянуть патрона, поверните его корону в направлении часовой стрелки.
4. Убедитесь, что сверло либо наконечник крепко схвачены.
5. Высвободите кнопку (8).

Чтобы снять сверло либо наконечник, при нажатой кнопке (8), поверните патрон в сторону, противоположную часовой стрелки.



ВНИМАНИЕ: Не допускается нажатие кнопки (8) пока шпиндель вертится. В противном случае это может вызвать повреждение и аннулировать гарантию производителя.

ЗАКРУЧИВАНИЕ И ОТКРУЧИВАНИЕ ВИНТОВ

Вставьте подходящий наконечник, введите его в прорезь головки винта и закрутите. Степень нажима по длине электроинструмента не превышает необходимую для задержки головки винта.



ВНИМАНИЕ: Слишком тугое закручивание может привести к поломке винта или повреждению наконечника.

1. Продление времени закручивания может привести к поломке винта.
2. Работа электроинструмента под углом к винту может повредить его головку, и снизить эффективность крутящего момента.

РЫЧАГ ДЛЯ СМЕНЫ НАПРАВЛЕНИЯ ВРАЩЕНИЯ

При нажатии правой стороны рычага выключателя (смотря с обратной стороны), наконечник вращается по часовой стрелке. Для вращения против часовой стрелки необходимо нажать левую сторону переключателя. (Рис. 5)



ВНИМАНИЕ: Нельзя нажимать рычаг во время работы электродвигателя. Чтобы изменить направление вращения, необходимо остановить машину, после чего с помощью рычага сменить направление вращения.

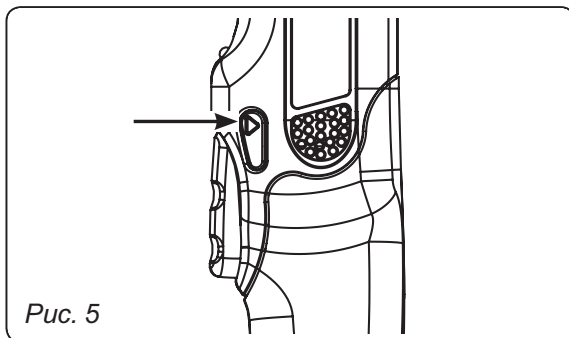


Рис. 5

РЕГУЛИРОВКА КРУТЯЩЕГО МОМЕНТА

Крутящий момент можно регулировать в каждом из 12 положений путем вращения кольца, расположенного за патронником. (Рис. 6)
Диапазон из 12 положений повышает контроль закручивания, т.к. помогает избежать чрезмерного затягивания.

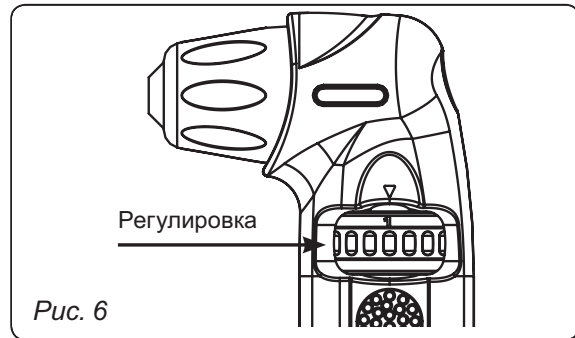


Рис. 6

IX - Обслуживание

ЧИСТКА

- Не реже раза в неделю, в режиме работающего электродвигателя, продуйте загрязнения и пыль во всех вентиляционных отверстиях сухим воздухом. Во время этой операции используйте предохранительные очки.
- Внешние пластмассовые части можно протирать влажной салфеткой и неконцентрированным моющим раствором



ВНИМАНИЕ: Несмотря на то, что внешние части устойчивы к действию растворителей, их употребление не допустимо!

Инструкции по чистке зарядного устройства :

- Загрязненные наружные части зарядного устройства протирать салфеткой или мягкой, неметаллической щеткой. Не используйте для этого воду и чистящие растворы.



ПРЕДУПРЕЖДЕНИЕ: Перед тем, как приступить к чистке зарядного устройства, отключите его от сети электропитания.



ВАЖНО: В целях безопасной работы электроинструмента и его надежности, любая деятельность по ремонту, обслуживанию и регулировке (включительно проверка и смена щеток) должна выполняться в специализированных сервисах SPARKY или других квалифицированных сервисных центрах, с использованием только оригинальных запчастей..

ПРИНАДЛЕЖНОСТИ, КОТОРЫЕ МОГУТ ИСПОЛЬЗОВАТЬСЯ ПРИ РАБОТЕ ЭЛЕКТРОИНСТРУМЕНТА

Принадлежности, которые рекомендуется использовать при работе электроинструмента, поставляются по дополнительной заявке и оплате местным сервисом SPARKY.

X - Гарантия

Гарантийный срок электроинструментов SPARKY указан в гарантийной карте.

Неисправности, возникшие в результате естественного изнашивания, перегрузки или неправильной эксплуатации, не входят в гарантийные обязанности.

Неисправности, возникшие вследствие применения некачественных материалов и/или производственных ошибок, устраняются без дополнительной оплаты путем замены или ремонта.

Рекламации на дефектный электроинструмент SPARKY признаются в том случае, когда машина будет возвращена поставщику, или представлена специализированному гарантийному сервису в не разобранном (первоначальном) виде.

Примечания

Внимательно прочтите всю инструкцию по эксплуатации перед тем, как приступить к использованию этого изделия.

Производитель сохраняет за собой право вносить в свои изделия улучшения и изменения, а также изменять спецификации без предупреждения.

Спецификации для разных стран могут различаться.



Съдържание

I - Въведение	39
II - Технически данни	41
III - Инструкции за безопасност при работа с електроинструменти	41
IV - Допълнителни правила за безопасност за ъглови бормашини/винтоверти	42
V - Допълнителни правила за работа със зарядното устройство	43
VI - Допълнителни правила за работа с батерията	44
VII - Запознаване с електроинструмента	A/46
VIII - Указания за работа	46
IX - Поддръжка	47
X - Гаранция	48

РАЗОПАКОВАНЕ

В съответствие с общоприетите технологии на производство е малко вероятно новопридобития от Вас електроинструмент да е неизправен или някоя от частите му да липсва. Ако забележите, че нещо не е наред, не работете с електроинструмента докато повредената част не се смени или дефектът не бъде отстранен. Неизпълнението на тази препоръка може да доведе до сериозна трудова злополука.

СГЛОБЯВАНЕ

Акумулаторната ъглова бормашина/винтоверт BAR 12E се доставя опакована и напълно сглобена.

I - Въведение

Новопридобитият от Вас електроинструмент SPARKY ще надхвърли Вашите очаквания. Той е произведен в съответствие с високите стандарти на качеството на SPARKY, отговарящи на строгите изисквания на потребителя. Лесен за обслужване и безопасен при експлоатация, при правилна употреба този електроинструмент ще Ви служи надеждно дълги години.

ВНИМАНИЕ!

Внимателно прочетете цялата инструкция за експлоатация преди да използвате новопридобития си електроинструмент SPARKY. Обърнете специално внимание на текстовете, които започват с думите "Внимание" и "Предупреждение". Вашият електроинструмент SPARKY притежава много качества, които ще улеснят Вашата работа. При разработката на този електроинструмент най-голямо внимание е обърнато на безопасността, експлоатационните качества и надеждността, които го правят лесен за поддръжка и експлоатация.



Не изхвърляйте електроуреди заедно с битовите отпадъци!

Отпадъците от електрически изделия не трябва да се събират заедно с битовите отпадъци. Моля, рециклирайте на местата, предназначени за това. Свържете се с местните власти или представител за консултация относно рециклирането.

ОПАЗВАНЕ НА ОКОЛНАТА СРЕДА



С оглед опазване на околната среда електроинструментът, принадлежностите и опаковката трябва да бъдат подложени на подходяща преработка за повторно използване на съдържащите се в тях суровини. За облекчаване на рециклирането детайлите, произведени от изкуствени материали, са обозначени по съответния начин.



ОПИСАНИЕ НА СИМВОЛИТЕ

Върху табелката с данни на електроинструмента са означени специални символи. Те предоставят важна информация за продукта или инструкции за неговото ползване.



Двойна изолация за допълнителна защита.



Съответствие с европейските стандарти за безопасност.

II - Технически данни

BAR 12E

- Напрежение: 12 V ---
- Скорост на празен ход: 0–800 min^{-1}
- Бързостягащ патронник: 1,5–10 mm
- Максимален диаметър на свредлото за:
 - дърво 24 mm
 - стомана 10 mm
- Максимален въртящ момент: 18 Nm
- Регулиране на въртящия момент: 12 положения
- Електронно регулиране на оборотите, ляв - десен ход да
- Светодиодна индикация за зареждане: да
- Габаритна дължина: 350 mm
- Тегло (с батерията): 2 kg

БАТЕРИЯ (Ni-Cd)

- Напрежение: 12V
- Капацитет: 2 Ah

ЗАРЯДНО УСТРОЙСТВО

- На входа:
- Напрежение/честота: 230V~50Hz
- Консумирана мощност: 45 W
- Изходящо напрежение / ток: 12 V --- 1.8 A
- Време за зареждане: 1 h
- Ниво на звуково налягане: $L_{pA} = 67,14 \text{ dB (A)}$
- Ниво на звукова мощност: $L_{wA} = 78,14 \text{ dB (A)}$
- Коригирана стойност на ускорението: 0,40 m/s^2

III - Инструкции за безопасност при работа с електроинструменти



ВНИМАНИЕ: Прочетете всички инструкции! Неспазването на изброените по-долу инструкции може да предизвика поражение от електрически ток, пожар и/или сериозна трудова злополука. Терминът “електроинструмент” по-долу се отнася за Вашия захранван с батерия (акумулаторен) електроинструмент.

Съхранявайте тези инструкции!

РАБОТНО МЯСТО

- Поддържайте работното място чисто и добре осветено. Безпорядъкът и недоста-

тъчното осветление на работното място са предпоставка за трудови злополуки.

- Не работете с електроинструментите във взривоопасна среда, например в присъствието на запалими течности, газове или прах. Електроинструментите искрят, което може да възпламени праха или парите.
- Дръжте на разстояние децата и страничните лица, когато работите с електроинструмента. Разсейването може да предизвика загуба на контрол от Ваша страна.

ЕЛЕКТРИЧЕСКА БЕЗОПАСНОСТ

- Избягвайте допир на тялото със заземени повърхности като водопроводни тръби, радиатори, кухненски печки и хладилници. Ако тялото ви е заземено, съществува повишен риск от поражение от електрически ток.
- Не излагайте електроинструментите на дъжд или влага. Проникването на вода в електроинструмента повишава риска за поражение от електрически ток.

ЛИЧНА БЕЗОПАСНОСТ

- Бъдете нащрек, работете с повишено внимание и постъпвайте обмислено, когато работите с електроинструмента. Не използвайте електроинструмента, когато сте уморени или под влияние на наркотици, алкохол или медикаменти. Моментно невнимание при работа с електроинструмента може да предизвика сериозна трудова злополука.
- Използвайте индивидуални защитни средства. Винаги използвайте предпазни очила. Индивидуалните защитни средства, например прахозащитна маска, неплъзгащи се обувки, защитен шлем или антифони, използвани в зависимост от конкретните условия, намаляват риска от трудови злополуки.
- Не се пресягайте. Поддържайте правилна стойка и равновесие през цялото време. Това позволява по-добро владение на електроинструмента при непредвидени ситуации.
- Използвайте подходящо работно облекло. Не носете широки дрехи или бижута. Пазете косите, дрехите и ръкавиците си далеч от движещи се части. Широките дрехи, бижутата или дългите коси могат да се захванат от движещи се части.
- Ако електроинструментът е снабден с приспособления за изсмукване и събиране на прах, осигурете тяхното правилно свързване и използване. Използването на тези приспособления намалява свързаните с прах рискове.

ЕКСПЛОАТАЦИЯ И ГРИЖИ ЗА ЕЛЕКТРОИНСТРУМЕНТИТЕ

- Убедете се, че прекъсвачът е в изключено положение преди да поставите акумулаторната батерия. Поставянето на акумулаторната батерия в инструмент с прекъсвач във включено положение е предпоставка за злополуки.
- Зареждайте акумулаторните батерии само със зарядно устройство, препоръчано от производителя. Зарядно устройство, подходящо за един вид акумулаторни батерии, може да предизвика риск от пожар, когато се използва с друг вид акумулаторни батерии.
- Използвайте инструментите само с предвидените за тях акумулаторни батерии. Употребата на друг вид батерии може да предизвика риск от злополука и пожар.
- Когато не използвате акумулаторната батерия, я дръжте настрана от кламери, монети, ключове, гвоздеи, винтове и други дребни метални предмети, които могат да свържат накъсо изводите ѝ. Свързването накъсо на изводите на батерията може да предизвика изгаряния или пожар.
- При неправилна употреба, от батерията може да изтече течност. Избягвайте контакт с течността. Ако въпреки всичко това се случи, изплакнете обилно с чиста вода. При попадане на акумулаторна течност в очите, допълнително трябва да се консултирате с лекар. Изтичащата от батерията течност може да предизвика възпаление или изгаряния.
- Не претоварвайте електроинструмента. Изберете подходящ електроинструмент за конкретната работа. Правилно избраният електроинструмент работи по-добре и по-безопасно в диапазона на мощността, за която е проектиран.
- Не използвайте електроинструмента, ако прекъсвачът му не може да превключва във включено и изключено положение. Електроинструмент, който не може да бъде управляван с прекъсвача си, е опасен и трябва да бъде ремонтиран.
- Извадете батерията от захранването преди да извършвате каквито и да било настройки, замяна на принадлежности или съхранение на електроинструмента. Тази превантивна мярка за безопасност намалява риска от неволно пускане на електроинструмента.
- Когато не работите с електроинструментите, съхранявайте ги на място, недостъпно за деца и не позволявайте на лица, ко-

ито не познават електроинструмента или тези инструкции, да работят с него. Електроинструментите са опасни в ръцете на необучени потребители.

- Поддържайте електроинструментите. Проверявайте дали движещите се части функционират нормално и се движат свободно, целостта и изправността на частите, както и за всякакво друго обстоятелство, което може неблагоприятно да повлияе на работата на електроинструментите. Ако е повреден, електроинструментът трябва да бъде ремонтиран преди по-нататъшна употреба. Лошата поддръжка е причина за голям брой злополуки.
- Поддържайте режещите инструменти остри и чисти. Правилно поддържаните режещи инструменти с остри режещи ръбове рядко блокират и се управляват по-лесно.
- Използвайте електроинструмента, принадлежностите и работните му инструменти в съответствие с тези инструкции и по начина, предвиден за конкретния тип електроинструмент, като вземате предвид условията на експлоатация и характера на извършваната работа. Използването на електроинструмента за работа, различна от тази, за която е предназначен, може да предизвика опасна ситуация.

СЕРВИЗНО ОБСЛУЖВАНЕ

- Ремонтът трябва да се извършва от квалифициран специалист, при употреба само на оригинални резервни части. По този начин се осигурява безопасната работа с електроинструмента.

IV - Допълнителни правила за безопасност за ъглови бормащини/ винтоверти

- Дръжте електроинструмента за изолираните повърхности за захващане при изпълняване на операция, при която е възможно завиваният винт да се допре до скрита електроинсталация. Допирът до проводник под напрежение ще постави под напрежение металните части на електроинструмента и ще предизвика токов удар върху оператора.

- Трябва да осъзнаете, че този електроинструмент винаги е в работно състояние, защото не е необходимо да бъде включен в мрежата. Винаги поставяйте прекъсвача в положение ИЗКЛЮЧЕНО, когато поставяте или сваляте батерията.

V - Допълнителни правила за работа със зарядното устройство

- Преди да използвате зарядното устройство, прочетете всички инструкции и предпазни обозначения върху зарядното устройство и батерията, както и самите инструкции за работа с батерията.
- Зареждайте батерии само в закрити помещения, тъй като зарядното устройство е предназначено само за работа на закрито.



ВНИМАНИЕ: Ако батерията е напукана или повредена по някакъв друг начин, не я поставяйте в зарядното устройство. Съществува опасност от токов удар.



ПРЕДУПРЕЖДЕНИЕ: Не се допуска попадане на каквато и да е течност в контакт със зарядното устройство. Съществува риск от токов удар.

- Зарядното устройство е предназначено да работи само и единствено с батерията SPARKY, влизаща в комплекта на доставката. Всякаква друга употреба може да създаде опасност от пожар или токов удар.
- Зарядното устройство и доставената с него батерия са предназначени да работят само заедно. Не се опитвайте да зареждате батерията с друго зарядно устройство освен с това, което влиза в доставката.
- Не поставяйте никакви предмети върху зарядното устройство, тъй като това може да предизвика прегряване. Не поставяйте зарядното устройство в близост до какъвто и да било източник на топлина.
- Не издърпвайте шнура на зарядното устройство, за да го изключите от захранващата мрежа.

- Убедете се, че шнурът на зарядното устройство е разположен така, че да не може да бъде стъпкан, да не се препъват в него, да не бъде повреден или подложен на механично натоварване.
- Не използвайте удължители освен ако това е крайно необходимо. Употребата на неподходящ удължител може да създаде опасност от пожар или токов удар.
- Не използвайте зарядното устройство ако е било подложено на силен удар, изтървано или повредено по какъвто и да е било начин. Не работете със зарядното устройство ако неговият шнур или щепсел са повредени - те трябва да бъдат незабавно подменени. Предайте зарядното устройство в оторизиран сервиз за преглед или ремонт.
- Не разглобявайте зарядното устройство. При необходимост от ремонт се обърнете към оторизиран сервиз. Неправилното повторно сглобяване може да предизвика опасност от пожар или токов удар.
- За намаляване на опасността от токов удар, изключете зарядното устройство от мрежата преди почистване. Само свалянето на батерията не намалява тази опасност.
- Никога не се опитвайте да свържете заедно две зарядни устройства.
- Това зарядно устройство е предвидено да се захранва от стандартна мрежа за захранване (220–240 V). Не се опитвайте да свържете зарядното устройство към мрежа с друго захранващо напрежение.
- Ако желаете да заредите втора батерия, изключете зарядното устройство от захранващата мрежа и го оставете да се охлади поне за 15 минути. След като това време измине, можете да заредите следващата батерия.
- При определени условия, при зарядно устройство включено в захранващата мрежа, чужд предмет може да предизвика късо съединение между откритите контакти в зарядното устройство. Проводящите материали, например като без с това да се изчерпват всички, са стоманена вълна, алуминиево фолио, или какъвто и да било друг материал от метални частици, трябва да се държат настрана от кухините на зарядното устройство. Винаги когато в зарядното устройство не е поставена батерия, го изключвайте от захранването. Изключвайте зарядното устройство преди да започнете да го почиствате.
- Не замразявайте и не потапяйте зарядното устройство във вода или друга течност.

VI - Допълнителни правила за работа с батерията

- Батерията за този електроинструмент се доставя недозаредена. Батерията трябва да се зареди напълно преди започване на работа.
- Не зареждайте електроинструмента във влажна или мокра среда.
- Максимална дълготрайност и експлоатационни качества могат да се постигнат ако батерията се зарежда при температура на околната среда 65°F–75°F (18°C–24°C). Не зареждайте батерията при температура на околната среда под +40°F (+4.5°C) или над +105°F (+40.5°C). Това има голямо значение и е предпоставка за предотвратяване на сериозни повреди на батерията.
- По време на зареждане зарядното устройство и батерията могат да са топли на допир. Това е нормално и не е показател за наличие на проблем.
- За да се предотврати прегряване, не зареждайте батерии на директна слънчева светлина в горещо време или в близост до източници на топлина.
- Не зареждайте в кабина или резервоар. По време на зареждането батерията трябва да се намира в добре вентилирано помещение.
- В редки случаи при тежък режим на експлоатация е възможна поява на незначително изтичане на течност от батерията. Това не указва неизправност. Все пак ако външното уплътнение е нарушено и върху кожата Ви попадне течност:
 - Бързо се измийте със сапун и вода.
 - Неутрализирайте мястото със слаба киселина, например лимонов сок или оцет.
 - Ако в очите Ви попадне течност от батерията, изплакнете ги обилно с чиста вода за поне 10 минути и веднага потърсете медицинска помощ. (Забележка: Течността е 25-35% разтвор на калиев хидроокис.)
- Ако батерията не се зарежда нормално:
 - (1) Проверете за наличие на напрежение в мрежовия контакт с лампа или фазомер.
 - (2) Преместете зарядното устройство с батерията на място, където температурата на околната среда е приблизително 65°F–75°F (18°C–24°C).
 - (3) Ако въпреки това има проблем със зареждането, занесете или изпратете електроинструмента с батерията и зарядното устройство в местния сервиз.

- Батерията трябва да се зареди когато престане да произвежда достатъчно мощност за операции, които преди са били извършвани с лекота. В такъв случай ПРЕУСТАНОВЕТЕ РАБОТА. Започнете процедура за зареждане. По всяко време може да дозаредите частично изразходвана батерия без това да ѝ навреди.
- Не изгаряйте батерии дори ако имат сериозни повреди или вече не могат да бъдат заредени. Батериите могат да експлодират в огъня.
- За да се улесни охлаждането на батерията след употреба, в горещо време избягвайте използване на зарядното устройство или батерията в метален навес или каравана без топлинна изолация.



ВНИМАНИЕ: Никога не се опитвайте да отворите батерията по каквато и да било причина. Ако пластмасовия корпус на батерията се счупи или напука, предайте батерията в сервиз за рециклиране.

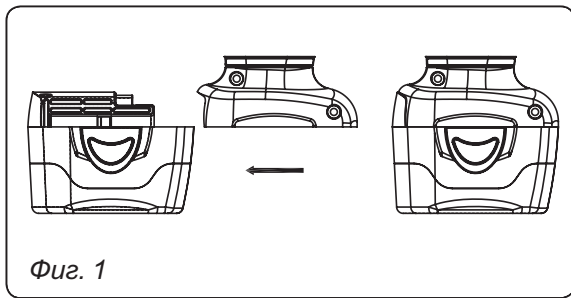
ПРЕДИ ДА ОПИТАТЕ ДА ЗАРЕДИТЕ БАТЕРИЯТА ЗА СВОЯ ЕЛЕКТРОИНСТРУМЕНТ ПРОЧЕТЕТЕ ВСИЧКИ ИНСТРУКЦИИ В РАЗДЕЛА ЗА ЗАРЯДНОТО УСТРОЙСТВО.

- Винаги използвайте подходяща батерия SPARKY (тази, доставена с електроинструмента или резервна батерия точно като нея). Никога не поставяйте никаква друга батерия. Това ще повреди електроинструмента и може да предизвика опасна ситуация.
- Зареждайте батериите само със зарядни устройства SPARKY.
- Батерията се състои от никел-кадмиеви клетки. Счита се, че кадмият е отровно вещество. Не изхвърляйте батериите заедно с битовите отпадъци. Батериите следва да се събират отделно и да се предават за рециклиране според изискванията за опазване на околната среда.

ПОСТАВЯНЕ И ИЗВАЖДАНЕ НА БАТЕРИЯТА

За да извадите батерията: натиснете фиксаторите за освобождаване на батерията и я издърпайте навън.

За да поставите батерията: поставете обратно батерията в електроинструмента докато се чуе характерното прищракване. (Фиг. 1)



Фиг. 1

ЗАРЕЖДАНЕ НА БАТЕРИИ

Преди първоначално пускане на акумулаторната бормашина/винтоверт, батерията трябва да се зареди докрай. Ако батерията е поставена в машината, извадете я, като следвайте инструкциите в раздел “Поставяне и сваляне на батерии”.

Когато батерията се изтощи, се забелязва рязък спад в производителността. Ако електроинструментът не може повече да изпълнява непосредствената задача, батерията трябва да се презареди; в противен случай дълготрайността на батерията ще намалее. По-нататъшното разреждане на батерията може я повреди.

ЗАБЕЛЕЖКА: По време на работа и малко след това температурата на батерията ще се увеличи. Ако батерията бъде заредена веднага след употреба, тя може да не се зареди докрай. Изчакайте батерията да изстине до стайна температура преди зареждане, за да постигнете най-добър резултат. След зареждане на 2 батерии зарядното устройство не трябва да се използва 1 час.



ВНИМАНИЕ: Зарядното устройство трябва да се постави върху четирите тампона на дъното му. Вентилационните отвори от горната и долната страна на зарядното устройство не трябва да са закрити. Не зареждайте батерията ако нейната температура е под 40°F (4.4°C) или над 104°F (40°C).

Ако захранващият шнур на зарядното устройство е повреден, той трябва да бъде подменен от производителя, от оторизиран сервиз или от специалист с подобна квалификация, за да се избегнат опасностите от замаяната.

Убедете се, че батерията е извадена от зарядното устройство преди то да бъде бракувано и ги предайте за рециклиране.

Преди да извадите батерията изключете зарядното устройство от мрежата.

ЗАРЕЖДАНЕ НА БАТЕРИИ

Убедете се, че напрежението на захранващата мрежа съответства на означеното върху табелката с технически данни на зарядното устройство. Свържете зарядното устройство към мрежата. Трябва да светне оранжевата светлина (A) Фиг. 2. Това показва, че зарядното устройство е готово за работа.

Поставете батерията върху зарядното устройство, подравнете плъзгачите (Фиг. 2D) на зарядното устройство с четирите фиксатора (Фиг. 3E) на батерията. Плъзнете батерията напред в зарядното устройство до упор.

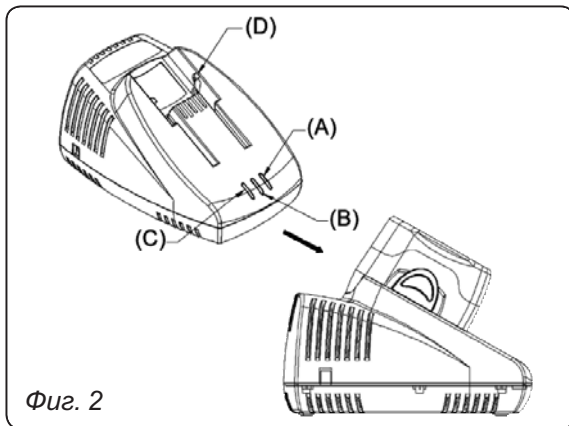
Червената светлина (Фиг. 2B) трябва да започне да свети непрекъснато, с което указва режим на “бързо зареждане”. След около един час червеният индикатор за “бързо зареждане” трябва да угасне, с което се указва че батерията е напълно заредена и че зарядното устройство е в поддържащ режим “Бавно зареждане” (зелена светлина). Батерията може да остане в този режим докато не Ви потрябва.



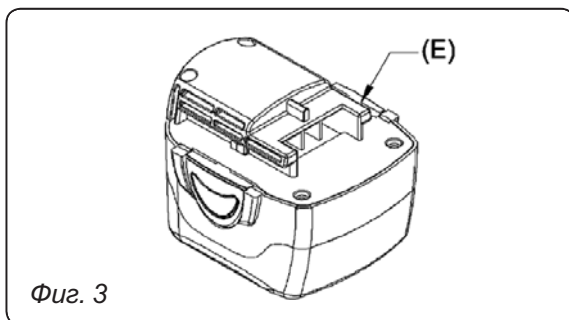
ВНИМАНИЕ: При вкарване на батерията в зарядното устройство, ако оранжевата светлина започне да примигва (Фиг. 2A), а зелената светлина (Фиг. 2C) започне да свети постоянно, с което сигнализира че или батерията е с твърде висока температура или че е с твърде ниско напрежение, моля оставете батерията в зарядното устройство, зареждането автоматично ще започне когато температурата на батерията е между 32°F (0°C) и 100°F (37.7°C) или когато напрежението ѝ достигне нормалното. Тогава червената светлина ще започне да свети постоянно, а зелената светлина ще угасне.

В зависимост от стайната температура, фазното напрежение и нивото на зареждане, първоначалното зареждане на батерията може да отнеме повече от един час.

Когато не използвате зарядното устройство го изключвайте от захранващата мрежа.



Фиг. 2



Фиг. 3

ВАЖНА ИНФОРМАЦИЯ ЗА ПРЕЗАРЕЖДАНЕТО НА ГОРЕЩИ БАТЕРИИ

При продължителна работа с електроинструмента, батерията ще се загрее. Трябва да оставите горещата батерия да се охлади за около 30 минути преди да се опитате да я заредите. Когато батерията се разрези и е гореща, червената светлина на зарядното устройство ще започне да примигва. Когато батерията се охлади, червената светлина ще започне да свети непрекъснато, с което указва режим на бързо зареждане с времетраене 1 час.

ЗАБЕЛЕЖКА: Това се проявява само след продължителна работаселектроинструмента, когато батерията е загрята. При нормални условия това не се наблюдава.

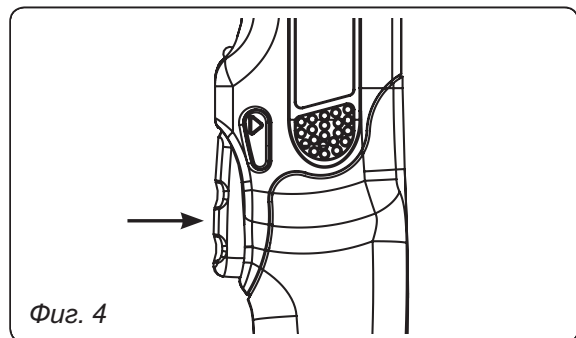
VII - Запознаване с електроинструмента

1. Прекъсвач
2. Лост за смяна посоката на въртене
3. Бързостягащ патронник
4. Пръстен за регулиране на момента
5. Акумулаторна батерия
6. Зарядно устройство
7. Светодиоден индикатор за зареждане
8. Застопоряващ бутон

VIII - Указания за работа

ЗАДЕЙСТВАНЕ НА ПРЕКЪСВАЧА

1. За да включите електроинструмента, натиснете лоста на прекъсвача. За да спрете електроинструмента, освободете лоста на прекъсвача. (Фиг. 4)
2. Скоростта на въртене се регулира от оказания натиск върху прекъсвача. Леко натискане на прекъсвача предизвиква задействие на машината на ниски обороти, които плавно се увеличават до максимални с увеличаване на натиска върху прекъсвача до достигане на крайно положение.



Фиг. 4

ПОСТАВЯНЕ И СВАЛЯНЕ НА СВРЕДЛО И НАКРАЙНИК



ВНИМАНИЕ: Изключвайте електроинструмента преди всякаква работа по него. За да се избегне неволно включване на машината се препоръчва изваждане на батерията.

1. За да застопорите вретеното, натиснете бутон (8).
2. Завъртете короната на патронника (3) в посока, обратна на часовниковата стрелка, докато челюстите му се разтворят достатъчно, за да се постави свредлото или накрайника.
3. За да затегнете патронника, завъртете короната му в посока на часовниковата стрелка.
4. Уверете се, че свредлото или накрайникът са здраво захванати.
5. Освободете бутон (8).

За да свалите свредло или накрайник, при натиснат бутон (8) завъртете патронника в посока обратна на часовниковата стрелка.



ВНИМАНИЕ: Не се допуска натискане на бутона (8) докато вретеното се върти. В противен случай това може да предизвика повреда и анулира гаранцията на производителя.

ЗАВИВАНЕ И ОТВИВАНЕ НА ВИНТОВЕ

Поставете подходящ за винта накрайник, нагласете накрайника в прорезите на главата на винта и го затегнете.

Приложете надлъжен натиск върху машината необходим само колкото да се задържи главата на винта.



ВНИМАНИЕ: Презатягането може да предизвика счупване на винта или повреждане на накрайника.

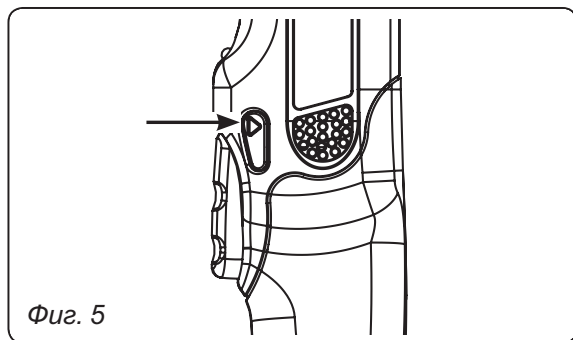
1. Удълженото време на завиване ще презатегне винта и той може да се счупи.
2. Затягането с машината под ъгъл към винта може да повреди главата на винта, освен това въртящият момент няма да се предаде изцяло към винта.

ЛОСТ ЗА СМЯНА ПОСОКАТА НА ВЪРТЕНЕ

При натискане на дясната страна на лоста на прекъсвача (гледано отзад), накрайникът се върти по посока на часовниковата стрелка. За въртене на накрайника в посока обратна на часовниковата стрелка, лостът се натиска отляво. (Фиг. 5)



ВНИМАНИЕ: Лостът не може да бъде натискан докато електродвигателят се върти. За да превключите посоката на въртене, спрете машината и едва тогава сменете с лоста посоката на въртене.

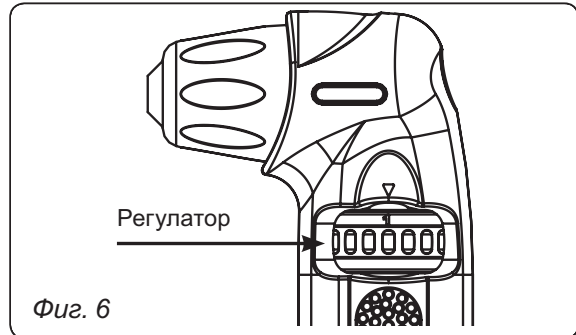


Фиг. 5

РЕГУЛИРАНЕ НА ВЪРТЯЩИЯ МОМЕНТ

Въртящият момент може да се регулира на всяко от 12^{те} положения чрез завъртане на пръстена зад патронника. (Фиг. 6)

Диапазонът от 12 положения позволява подобър контрол при завиване, тъй като се избягва презатягане.



Фиг. 6

IX - Поддръжка

ПОЧИСТВАНЕ

- При въртящ се електродвигател, продухайте замърсяванията и праха от всички вентилационни отвори със сух състен въздух поне веднъж седмично. По време на тази операция носете предпазни очила.
- Външните пластмасови части могат да се почистват с навлажнена кърпа и слаб препарат за миене.



ВНИМАНИЕ: Въпреки че външните пластмасови части са устойчиви към разтворители, НИКОГА не използвайте разтворители!

Инструкции за почистване на зарядното устройство:

- Замърсените и омаслени външни части на зарядното устройство да се почистват с кърпа или мека неметална четка. Не използвайте за тази цел вода и почистващи разтвори.



ПРЕДУПРЕЖДЕНИЕ: Преди почистване изключете зарядното устройство от захранващата мрежа.



ВАЖНО: За да се осигури безопасната работа с електроинструмента и неговата надеждност, всички дейности по ремонта, поддръжката и регулирането (включително проверката и подмяната на четките) трябва да се извършват в оторизирани сервиси или в други квалифицирани сервизни организации, с използване само на оригинални резервни части..

ПРИНАДЛЕЖНОСТИ, КОИТО МОГАТ ДА БЪДАТ ИЗПОЛЗВАНИ С ТОЗИ ЕЛЕКТРОИНСТРУМЕНТ

Принадлежностите, които се препоръчва да използвате с този електроинструмент, можете да си доставите при допълнително заплащане от местния сервиз на SPARKY.

X - Гаранция

Гаранционният срок на електроинструментите SPARKY се определя в гаранционна карта.

Неизправности, появили се в следствие на естествено износване, претоварване или неправилна експлоатация, се изключват от гаранционните задължения.

Неизправности, появили се в следствие на влягане на некачествени материали и/или производствени грешки, се отстраняват без допълнително заплащане чрез замяна или ремонт.

Рекламация на дефектирал електроинструмент SPARKY се признава, когато машината се върне на доставчика или се представи на оторизиран гаранционен сервиз в неразглобено (първоначално) състояние.

Забележки

Внимателно прочетете цялата инструкция за експлоатация преди да използвате това изделие.

Производителят си запазва правото да въвежда подобрения и промени в своите изделия и да променя спецификациите без предупреждение.

Спецификациите могат да се различават за отделните страни.



0603R02





0603R02





0603R02





0603R02

